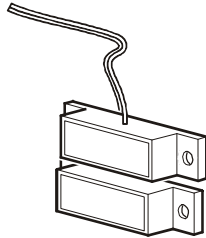


NetBotz[®] Door Switch Sensor for Third-Party Racks (NBES0312)—Installation Instructions

Inventory



Door switch sensor with
1.57-m (62-in) cable



#4 x 1/2-in screw (4)



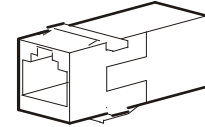
63.5-mm (2.5-in) dual
adhesive tape (2)



203-mm (8-in) tie wrap (10)



Adhesive cable tie holder (5)



RJ-45 coupling

Installation



Caution: Make sure you connect this sensor to a **Sensor** port on applicable NetBotz products. See your NetBotz product documentation for details.

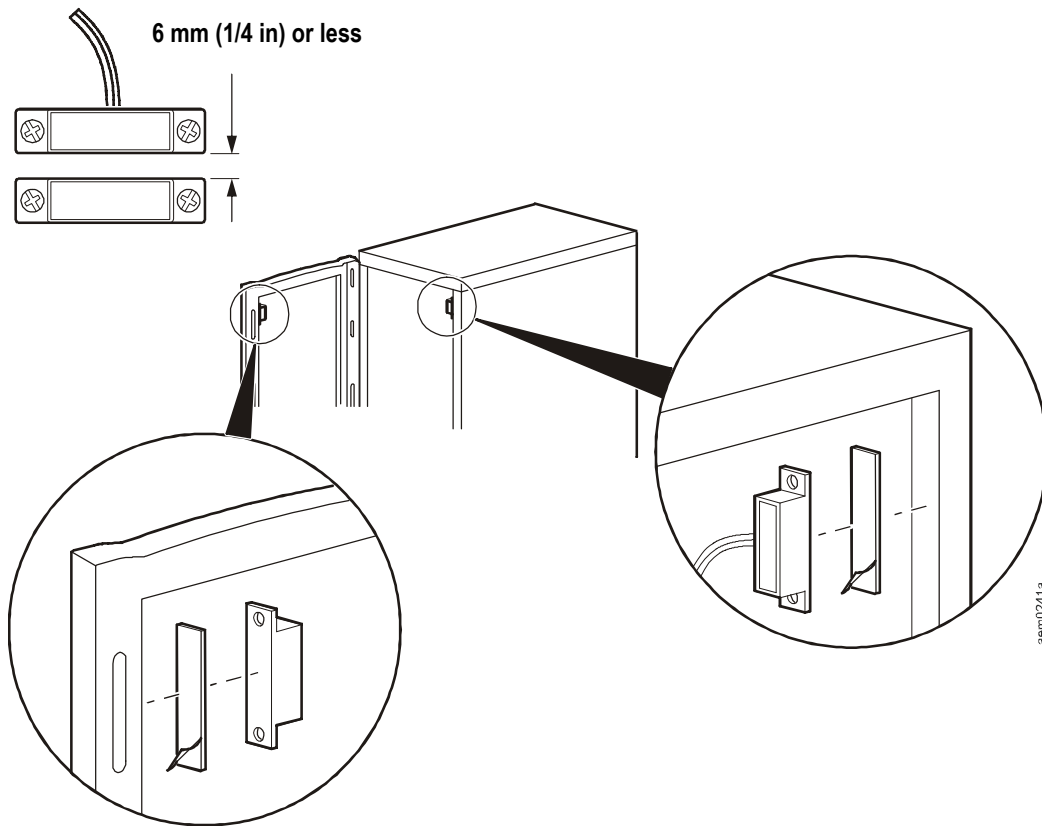


Note: You can extend the length of the sensor cable up to 30.5 m (100 ft) using the RJ-45 coupling and standard CAT-5 cabling.



Note: Use adhesive cable tie holders and tie wraps to secure the sensor cable.

Rack door-mounting option



Customer support and warranty information is available at the APC Web site, www.apc.com.

990-4590
9/2011

© 2011 Schneider Electric. All rights reserved. All Schneider Electric trademarks are property of Schneider Electric S.A.S or its subsidiaries. Other trademarks are property of their respective owners.