

APC Battery Temperature Sensor

APC Smart-UPS® VT Battery Temperature Sensor for External Battery Cabinet



APC SmartUPS® VT Battery Temperature Sensor for External Battery Cabinet	SUVTOPT007
--	------------

Battery temperature kit SUVTOPT007 includes:

Number	Part description
1	PCB-Board
2	Screws
1	Housing Black Box
1	Screen Insulator
1	Grommet 5mm

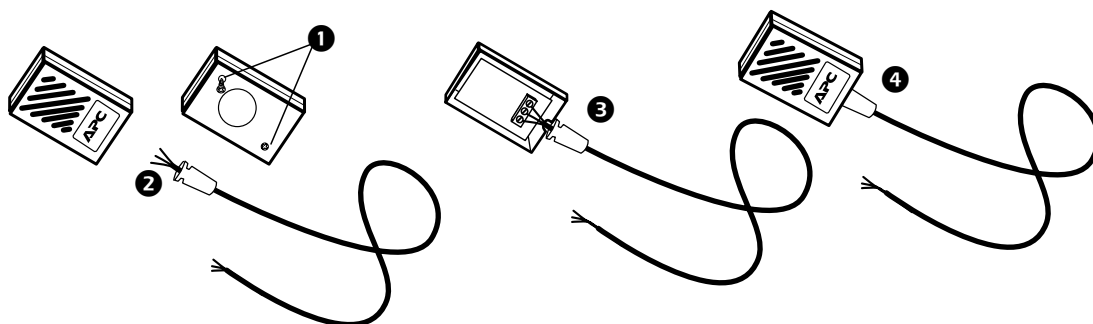
Connecting the APC Battery Temperature Sensor



Note

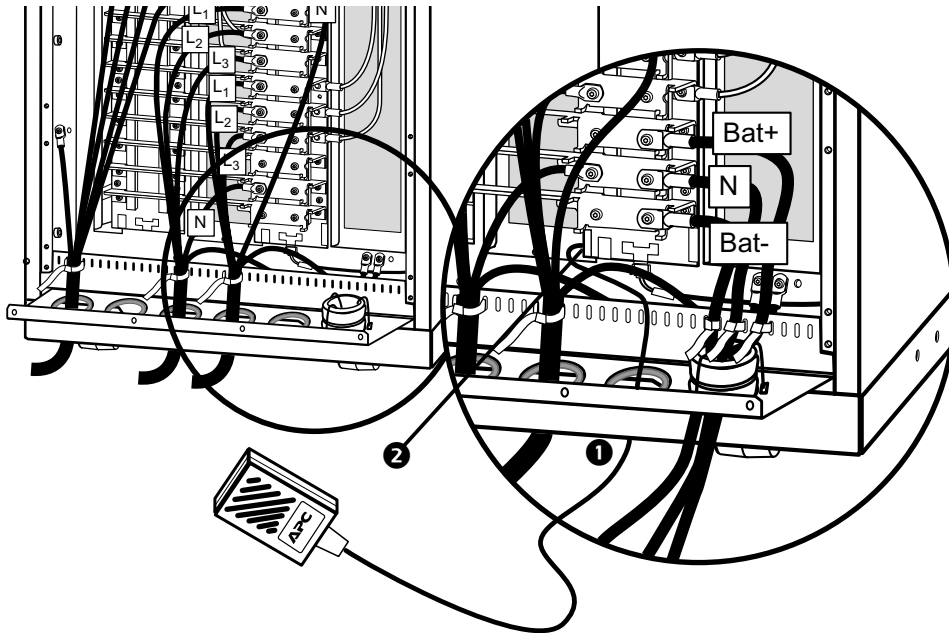
Cable to be used for temperature sensor: Double-insulated cable 0.75mm² – maximum cable length 100m.

Connect cable 0.75 mm² to Battery Temperature Sensor housing



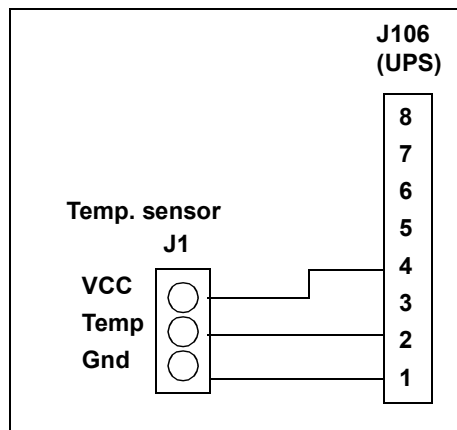
- 1 Loosen two screws and open housing.
- 2 Guide double-insulated cable through grommet.
- 3 Fill in cables and fasten screws (see schematics on next page).
- 4 Close housing.

Connect APC Battery Temperature Sensor to UPS



- ❶ Guide cable through cable entry.
- ❷ Connect cable to J106.

Connect cable to J1 as illustrated:



Place Battery Temperature Sensor close to batteries where the temperature is presumed to be the highest. Reinstall rear cover on UPS.