

NetShelter™ RX Medium Density Enclosures

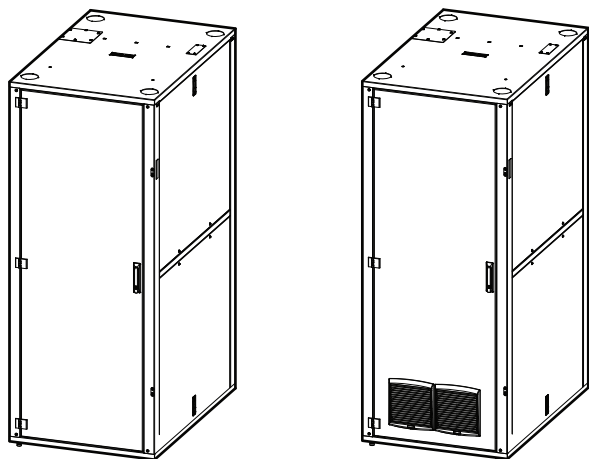
42U

Installation

AR5340, AR5340F



Release date: 11/2023



Legal Information

The Schneider Electric brand and any trademarks of Schneider Electric SE and its subsidiaries referred to in this guide are the property of Schneider Electric SE or its subsidiaries. All other brands may be trademarks of their respective owners.

This guide and its content are protected under applicable copyright laws and furnished for informational use only. No part of this guide may be reproduced or transmitted in any form or by any means (electronic, mechanical, photocopying, recording, or otherwise), for any purpose, without the prior written permission of Schneider Electric.

Schneider Electric does not grant any right or license for commercial use of the guide or its content, except for a non-exclusive and personal license to consult it on an "as is" basis. Schneider Electric products and equipment should be installed, operated, serviced, and maintained only by qualified personnel.

As standards, specifications, and designs change from time to time, information contained in this guide may be subject to change without notice.

To the extent permitted by applicable law, no responsibility or liability is assumed by Schneider Electric and its subsidiaries for any errors or omissions in the informational content of this material or consequences arising out of or resulting from the use of the information contained herein.

Contents

Introduction	1
Safety	2
Qualified Personnel	2
Enclosure Safety	3
Labels	4
Inventory	5
Component Identification	5
Hardware Bag Contents	6
Tools Required (not provided)	6
Installation	7
Enclosure Dimensions	7
Location Requirements	8
Move the Enclosure	9
Move the Enclosure on its Casters	10
Leveling Feet	11
Tools Required (not provided)	11
Join the Enclosures	12
Ground the Enclosure	13
Side Panels	14
Tools Required (not provided)	14
Remove the Side Panels	15
Install the Side Panels	16
Fan Operation	18
Fan Power	19
To Use the C8 Inlet as an Interlock	20
Fan Specifications	21
Equipment Installation	22
Cage Nuts	22
Install Your Equipment (not provided)	23
Install a Rack PDU (not provided)	23
Install Cable Managers (not provided)	24
Route Cables and Pipes	24
Subsystem Integration	25
Safety	25
Recommended Components	26
Roxtec Gasket (not provided)	27
Cooling System (not provided) Installation	28
Rack Mounted Cooling Unit	28
Condensate Pump	28
Monitoring Appliance	28

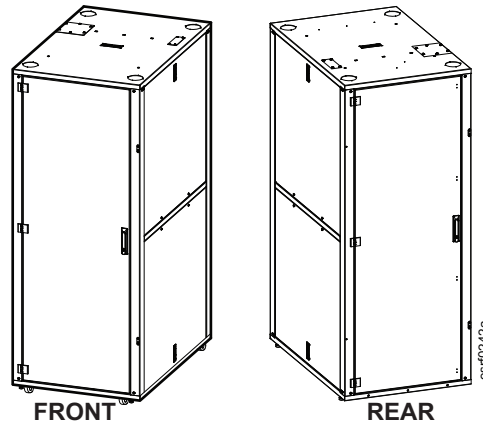
Configure Cooling	29
Disable the Cooling Unit	29
Cooling Unit Communications for EcoStruxure IT	29
Configure the Cooling Unit from the Display	30
NetBotz 250A Configuration	33
Configuring Multiple Temperature and Humidity Sensors	33
NetBotz 750 Configuration	36
MDC Supply Air Temperature (High) Alarm	36
Configure the Active Cooling Disabled Alarm	38
Maintenance	39
Ventilation Grille Filters	39
Replacement Filters (not provided)	39
How to Access and Replace the Filters	40
Two Year Parts Only Factory Warranty	42
Terms of warranty	42
Non-transferable warranty	42
Exclusions	42
Warranty claims	42

Introduction

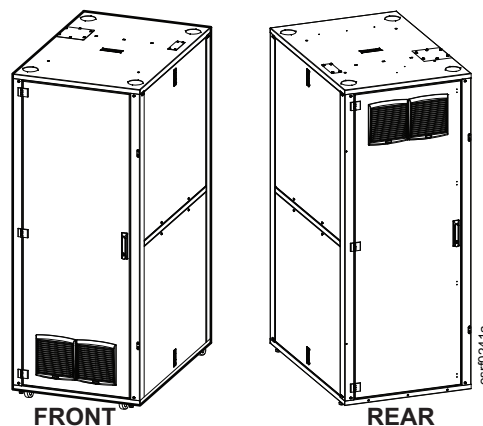
APC NetShelter™ RX Medium Density Enclosures are high-quality, IP54-rated, IT enclosures for storage of industry-standard (EIA/ECA-310), 19 in (483 mm) rack-mount hardware, including servers and voice, data, networking, internetworking, and power protection equipment.

- Two models: AR5340 and AR5340F
- 42U
- IP54-rated

AR5340:Enclosure only



AR5340F:Enclosure equipped with a fan ventilation system. Louvered grille covers with filters are installed on the front and rear doors. A 208/230V, 50/60Hz fan uses a temperature sensor (provided) to control fan speed. The fan is designed to run full time once power is applied. A power cord is included in the hardware bag. A C14 outlet is located on the right side of the fan box (the hinge side of the door when open). A dedicated door switch on the fan box and rear of the enclosure frame will cause the fan to shut down when the rear door is opened.



Safety

SAVE THESE INSTRUCTIONS

Read these instructions carefully and look at the equipment to become familiar with it before trying to install, operate, service or maintain it. The following safety messages may appear throughout this manual or on the equipment to warn of potential hazards or to call attention to information that clarifies or simplifies a procedure.



The addition of this symbol to a Danger or Warning product safety label indicates that an electrical hazard exists that will result in personal injury if the instructions are not followed.



This is the safety alert symbol. It is used to alert you to potential personal injury hazards. Obey all safety messages that follow this symbol to avoid possible injury or death.

DANGER

DANGER indicates a hazardous situation which, if not avoided, **will result in** death or serious injury.

Failure to follow these instructions will result in death or serious injury.

WARNING

WARNING indicates a hazardous situation which, if not avoided, **could result in** death or serious injury.

Failure to follow these instructions can result in death, serious injury or equipment damage.

CAUTION

CAUTION indicates a hazardous situation which, if not avoided, **could result in** minor or moderate injury.

Failure to follow these instructions can result in injury or equipment damage.

NOTICE

NOTICE is used to address practices not related to physical injury. The safety alert symbol is not used with this type of safety message.

Failure to follow these instructions can result in equipment damage.

Qualified Personnel

Electrical equipment should only be installed, operated, serviced, and maintained by qualified personnel.

A qualified person is one who has skills and knowledge related to the construction, installation and operation of electrical equipment and has received safety training to recognize and avoid the hazards involved.

Enclosure Safety

DANGER

HAZARD OF ELECTRIC SHOCK, EXPLOSION, OR ARC FLASH

- Once the enclosure is in place, ensure that it is properly grounded before installing your equipment or connecting to mains power.
- Mains power must be brought to the enclosure only by qualified personnel.
- Wear appropriate personal protective equipment (PPE) and follow safe electrical work practices. See NFPA 70E and follow all local codes and regulations.
- Equipment must be installed in accordance with the National Electrical Code and all applicable local codes.
- Do not insert anything into the fan grill.

Failure to follow these instructions will result in death or serious injury.

WARNING

TIP/HEAVY EQUIPMENT HAZARD

- At least two people are required to move the enclosure.
- Load at least 158 kg (350 lb) in the bottom of the enclosure before moving the enclosure on its casters.
- When moving the enclosure on its casters, ensure the path of the enclosure is free of obstacles and debris.
- When moving the enclosure on its casters, make sure the leveling feet are raised and push the enclosure from the front or rear. Never push the enclosure from the sides.

Failure to follow these instructions can result in death, serious injury or equipment damage.

CAUTION

IMPACT HAZARD

The fan box location may interfere with your working space when the rear door is open. Sharp corners exist on the fan box. Exercise care to avoid impact.

Failure to follow these instructions can result in injury or equipment damage.

NOTICE

IMPROPER AIRFLOW

- Improper airflow can damage installed components. Verify that the system provides airflow needed by your equipment.
- Check the air filters regularly. Replace the filters when needed to prevent reduced airflow.
- Do not obstruct airflow by covering or blocking the ventilation grilles.

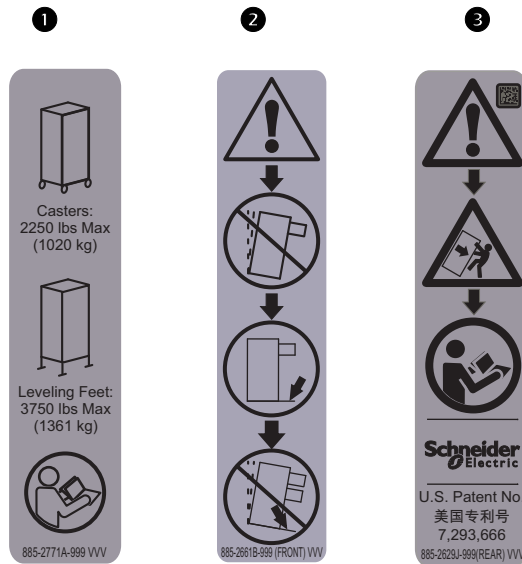
Failure to follow these instructions can result in equipment damage.

Labels

Safety and informational labels are affixed to the enclosure. Read and follow the instructions on the labels.

Tip Hazard and Weight limit labels are attached to the frame of the enclosure.

1. Observe the load restrictions for the enclosure. The Dynamic load is limited to 1020 kg (2250 lb). This is the maximum load for moving the enclosure on its casters.
The Static load is limited to 1361 kg (3750 lb). This is the maximum load for the enclosure while the unit is resting on its leveling feet.
Read the manual.
2. Tip Hazards. Only one shelf or piece of equipment on sliding rails should be extended at a time.
3. Observe tip hazards. Be sure to read all of the instructions for the equipment.

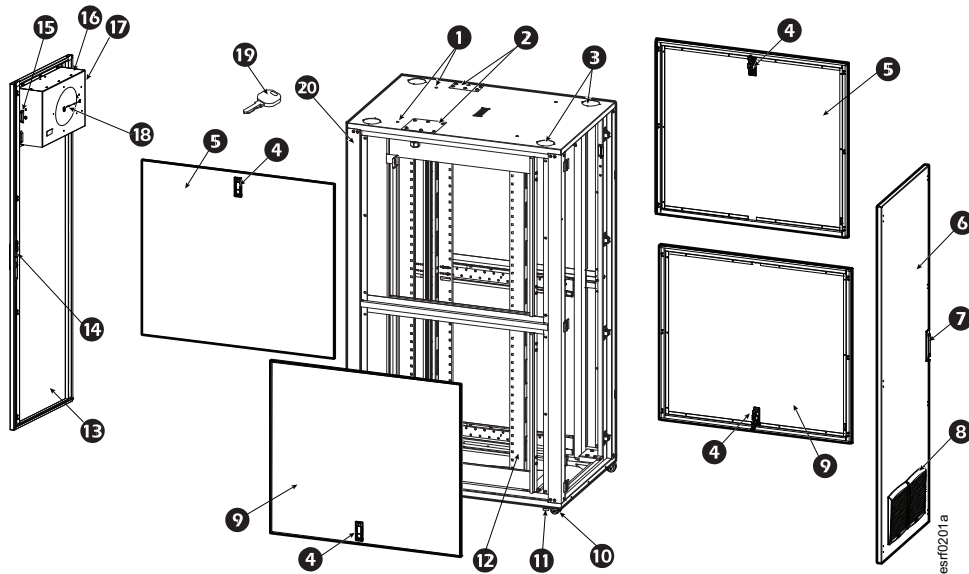


Inventory

Upon receipt of the NetShelter RX Medium Density Enclosure, inspect for damage and notify the shipping carrier and APC at apc.com/support immediately if any damage is found.

Component Identification


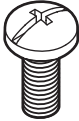



AR5340F shown in the illustration below.




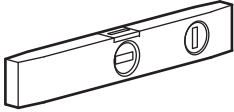
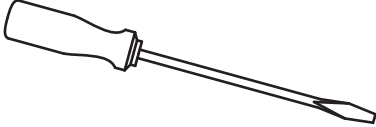
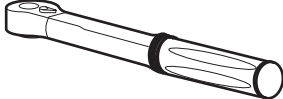
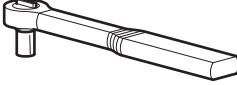
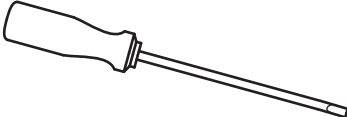
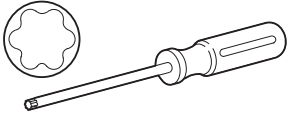
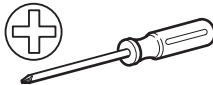

Item	Description	Item	Description
1	Lifting eye holes/plugs	11	Leveling foot
2	Cable entry cover plates	12	Vertical mounting rail
3	Knockouts	13	Rear door
4	Side panel lock	14	Locking rear door handle
5	Top side panel	15	Fan Door sensor*
6	Front door	16	Fan Box*
7	Locking front door handle	17	C14 outlet for fan power*
8	Ventilation louvers and filters*	18	Temperature sensor*
9	Bottom side panel	19	Keys (located in the literature bag)
10	Caster	20	Enclosure frame

* Components of AR5340F only. All remaining components listed in the table above are also components of AR5340.

Hardware Bag Contents

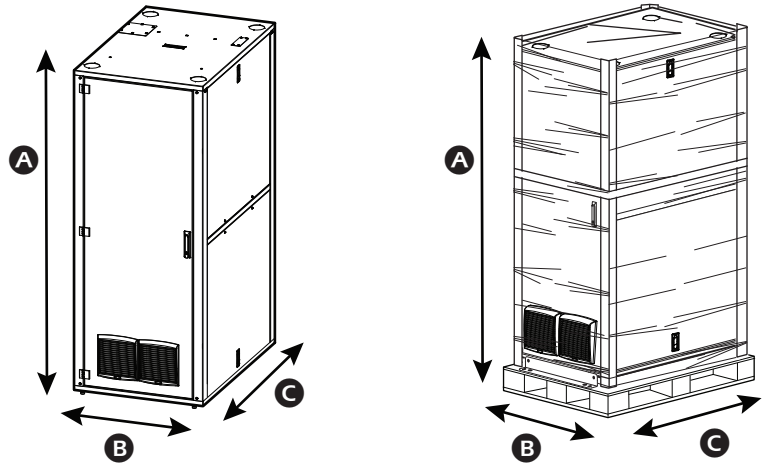
		
Plastic cup washer (60)	M6 x 16 Phillips head screw (60)	M6 Cage nut (60)
		
Cage nut tool (1)	Torx T30 / #2 Phillips tool (1)	

Tools Required (not provided)

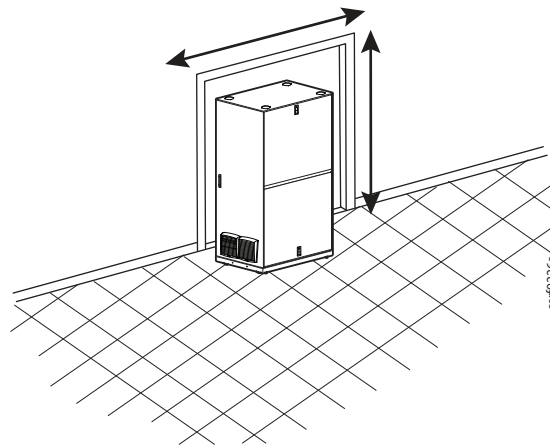
		
13-mm, open-ended wrench	Level	Flat tipped screwdriver
		
Torque wrench	Ratchet wrench with 10mm socket	Small (6mm) flat tipped screwdriver
		
T-25 Torx driver	Phillips head screwdriver	T25 Torx socket

Installation

Enclosure Dimensions



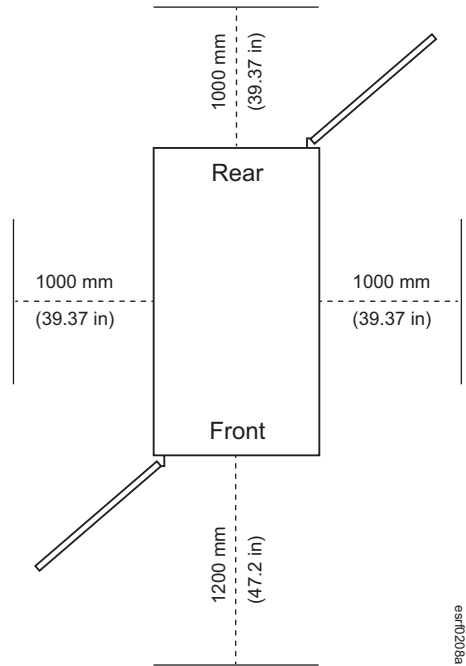
	AR5340	AR5340F
A Height - mm (in) Enclosure only Enclosure With Packaging	2006 (79) 2130 (83.9)	
B Width - mm (in) Enclosure only Enclosure With Packaging	800 (31.5) 946 (37.2)	
C Depth - mm (in) Enclosure only Enclosure With Packaging	1212 (47.7) 1321 (52)	1220 (48) 1321 (52)
Weight - kg (lb) Enclosure only Enclosure With Packaging	258 (568) 286 (631)	260 (575) 289 (638)



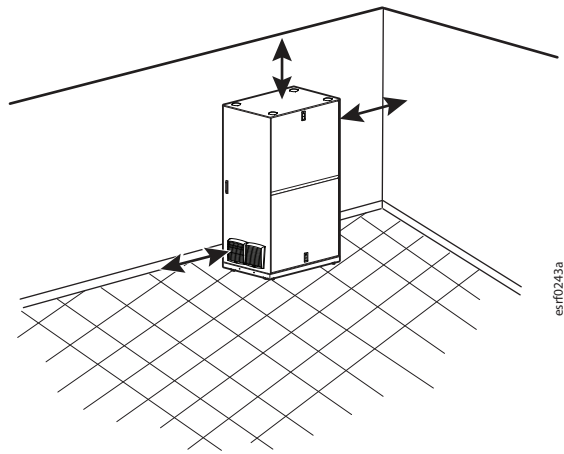
Note the dimensions of any doorways or hallways in your path to reach the final location for your enclosure. Ensure you can move the enclosure through any doorways or other obstacles.

Location Requirements

The final location for your enclosure should include sufficient space around and above to perform everyday tasks and occasional maintenance.

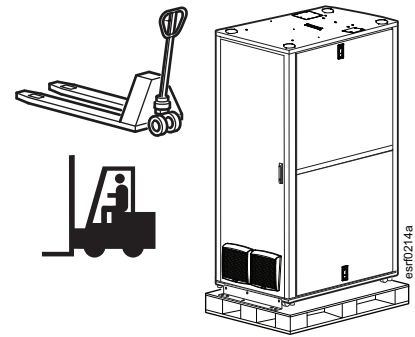


Your location should include at least 305mm (12 in) of space above the enclosure. Do not position the AR5340F enclosure in a way that will block the ventilation grilles.



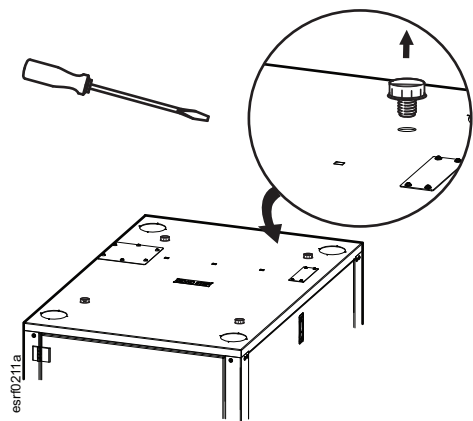
Move the Enclosure

Use a forklift or a pallet jack to move the enclosure while it is still on the pallet, if possible. Follow the instructions in the Unpacking Sheet to complete the removal of the enclosure from its pallet once it is at its final location.



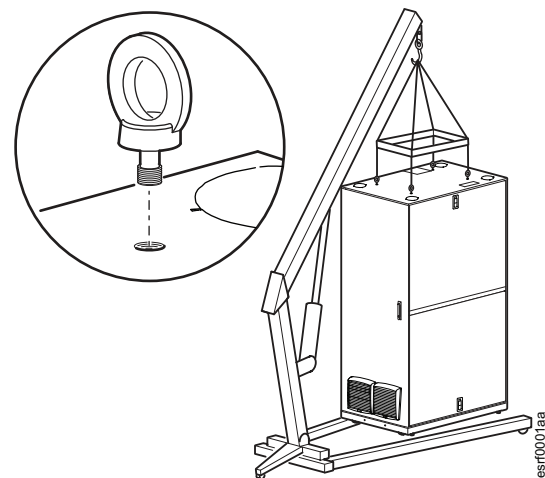
You can move an unpacked enclosure using eye bolts and a lifting device. Remove the brackets securing the enclosure to the pallet. See the Unpacking Sheet for complete instructions.

Use a flat tipped screwdriver to remove the hole plugs. Save the hole plugs for re-installation following the lifting task.



Use M10 x 20 mm shoulder eye bolts with a vertical lift rating of at least 181 kg (400 lb).

NOTE: Use appropriate lifting hardware to ensure a straight-line pull on the eye bolts.

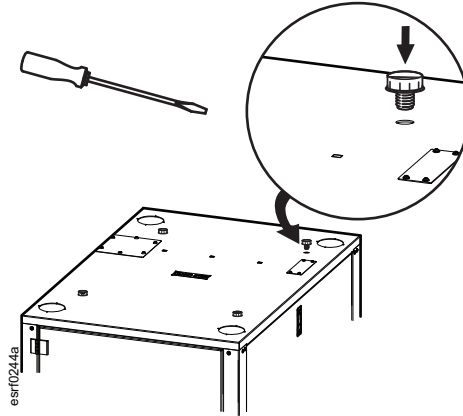


CAUTION

EQUIPMENT DAMAGE HAZARD

Avoid compromising the IP54 rating and possible equipment damage. Ensure the hole plugs are installed .
Failure to follow these instructions can result in injury or equipment damage.

Remove the eye bolts when the lifting task is complete. Re-install the hole plugs.



Move the Enclosure on its Casters

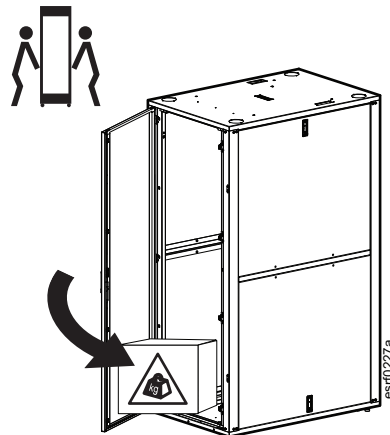
WARNING

TIP/HEAVY EQUIPMENT HAZARD

- At least two people are required to move the enclosure.
- Load at least 158 kg (350 lb) in the bottom of the enclosure before moving the enclosure on its casters.
- When moving the enclosure on its casters, ensure the path of the enclosure is free of obstacles and debris.
- When moving the enclosure on its casters, make sure the leveling feet are raised and push the enclosure from the front or rear. Never push the enclosure from the sides.

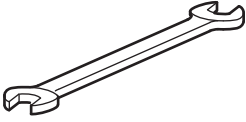
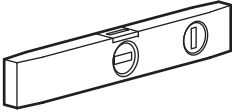
Failure to follow these instructions can result in death, serious injury or equipment damage.

When moving the enclosure on its casters, place at least 158 kg (350 lb) in the bottom of the enclosure. Do not move a loaded enclosure on its casters if the weight exceeds the Maximum Dynamic Load of 1020 kg (2250 lb). At least two people should move the enclosure.

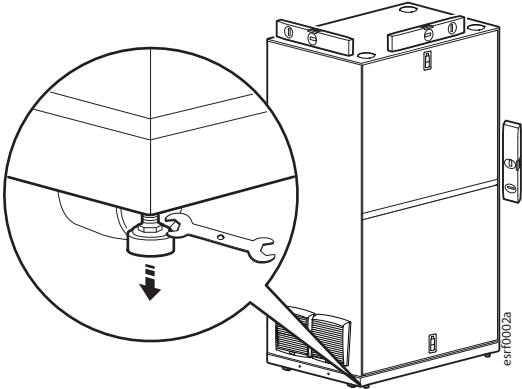


Leveling Feet

Tools Required (not provided)

	
13-mm, open-ended wrench	Level

When the enclosure is in its final location, lower the leveling feet. Use a 13-mm, open-ended wrench (not provided) to lower the leveling feet. Use a level (not provided) to ensure the enclosure is level and plumb while lowering the leveling feet.

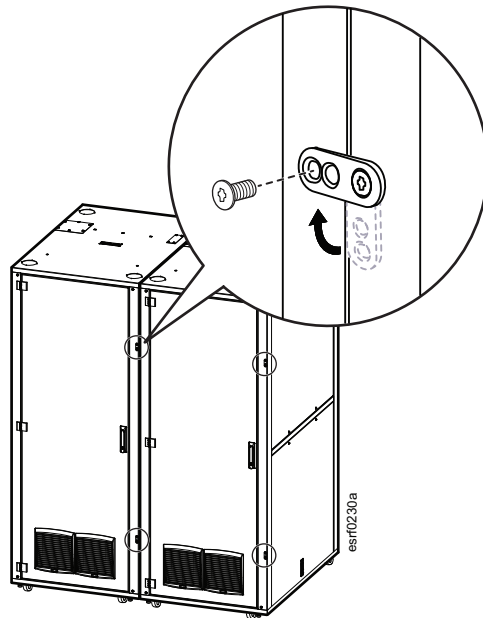


Join the Enclosures

NOTICE

- Joining the enclosures is intended for stability purposes only.
- Side panels are NOT removed when joining enclosures.

Two or more enclosures may be joined using the brackets attached to the front and rear as shown.



Ground the Enclosure

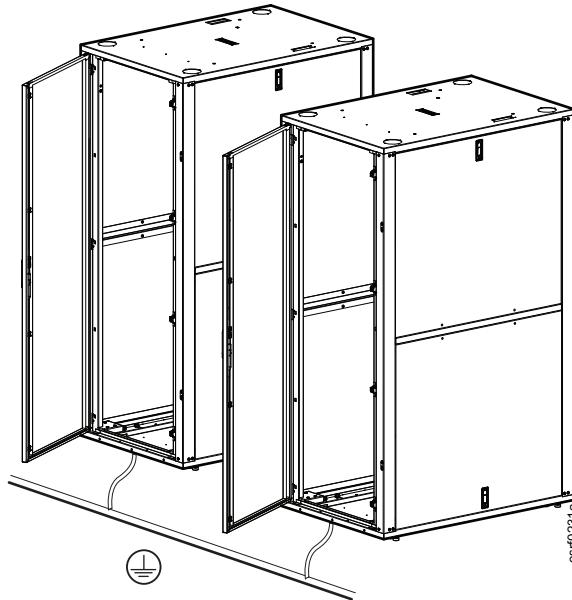
The NetShelter RX Medium Density Enclosure does not include a common grounding point. A common ground using a discrete bonding jumper must be connected directly to each enclosure. Follow all local and national codes.

  **DANGER**

HAZARD OF ELECTRIC SHOCK, EXPLOSION, OR ARC FLASH

Connection of the enclosure to the building Common Bonding Network (CBN) is required.

Failure to follow these instructions will result in death or serious injury.



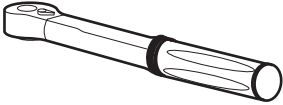
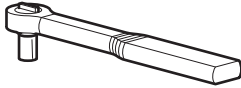
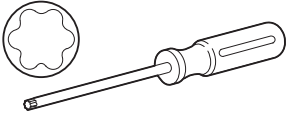

Side Panels

It may be easier to install some of your equipment and cables if one or more side panels are removed to improve access. Since the enclosure is a sealed unit, care must be used when removing and installing the side panels in order to ensure the gasket material will not be damaged.

 CAUTION
HEAVY EQUIPMENT HAZARD The side panels are heavy. At least two people should remove or install the side panels. Failure to follow these instructions can result in injury or equipment damage.

NOTICE
DAMAGE HAZARD Use care when removing or installing the side panels. Avoid crushing or tearing the gasket material. Failure to follow these instructions can result in equipment damage.

Tools Required (not provided)

	
Torque wrench	Ratchet wrench with 10mm socket
	
T-25 Torx driver	T25 Torx socket

Install the Side Panels

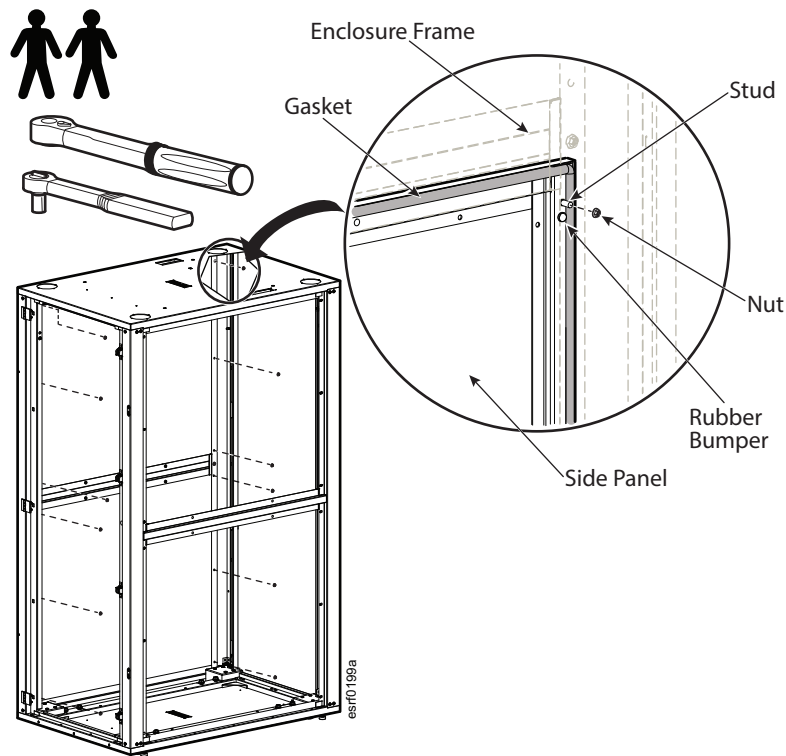
NOTICE

DAMAGE HAZARD

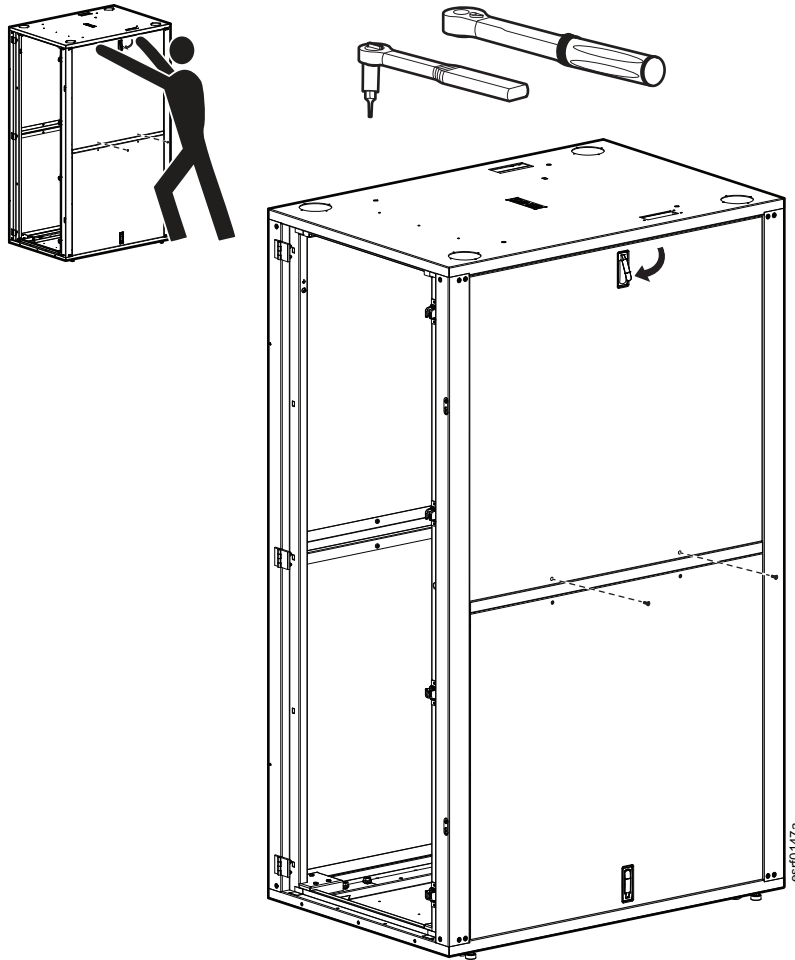
- To avoid damaging the gasket, do not use an electric screwdriver or drill to secure the hardware.
- Refer to the torque specifications to avoid overtightening the fasteners. Overtightening the fasteners may permanently damage the gasket and compromise the seal.

Failure to follow these instructions can result in equipment damage.

1. Fit the six (6) threaded studs on the side panel through the holes in the frame. Have at least one person hold the side panel in position while a second person secures the six (6) M6 nuts with a socket wrench.
Torque: 8 - 12 in lbs (0.9 - 1.4 Nm).
Rubber bumpers installed near the studs on the side panels help prevent over-compression of the gasket. Observe the torque requirements and use care to prevent damage to the gaskets.



2. Use a socket wrench to install the two (2) T25 screws and rubber washers to the support.
Torque: 8 - 12 in lbs (0.9 - 1.4 Nm).
Press the side panel at the top to compress the gasket while securing the latch. Use care not to damage the gasket. Ensure the latch is secured in the locked position.

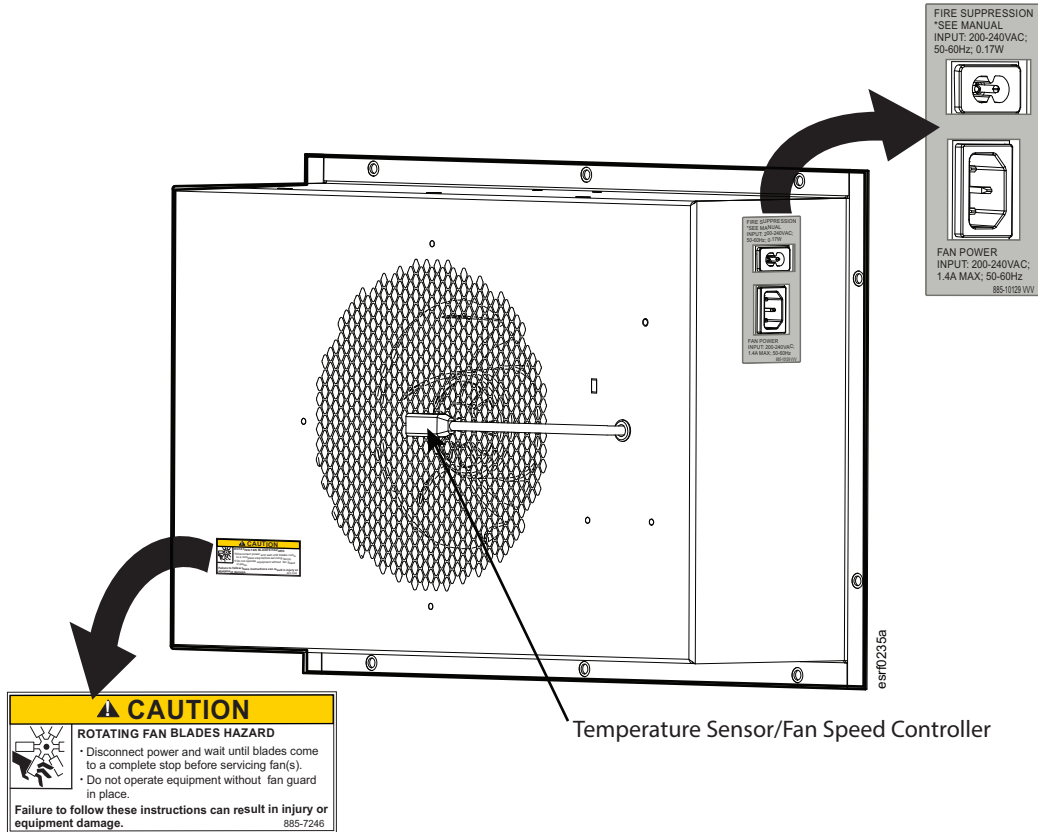


Fan Operation

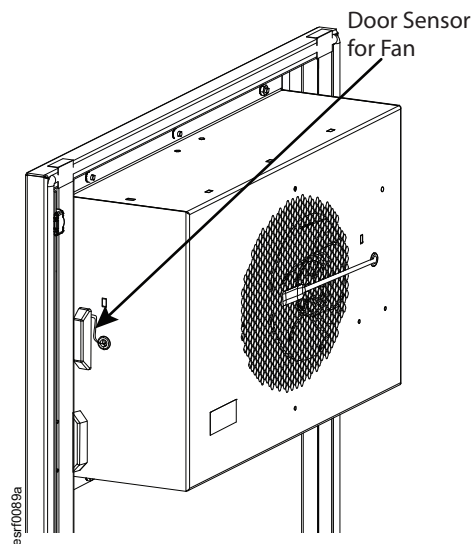
Under normal conditions, the fan will operate when power is applied to the C14 inlet and the door is closed. The fan speed will increase as the temperature inside the enclosure increases.

The fan box includes an IEC C8 inlet, relay, and terminal blocks to support the fan interlock for fire suppression.

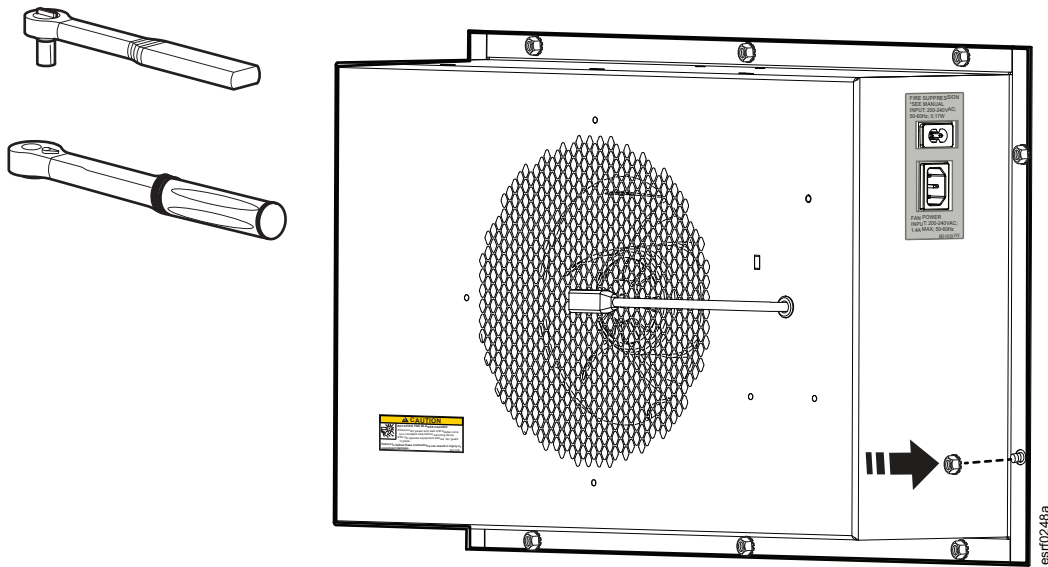
By default, the interlock is bypassed and not used due to the use of the temperature-driven fan speed controller. The door sensor stops the fan when the door is opened.



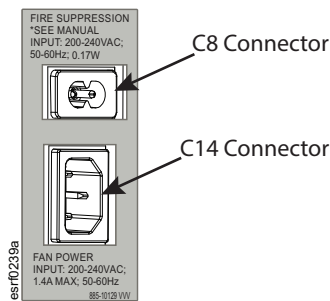
The fan box includes a door sensor connected to the fan that will cause the fan to stop when the rear door is opened.



4. Install the fan box to the rear door using the ten (10) 5m Hex Nuts with lock washers.
Torque: 32 - 40 in-lbs (3.6 - 4.5 Nm).



5. Apply power to the C8 inlet and the C14 connector in order for the fan to function.



Fan Specifications

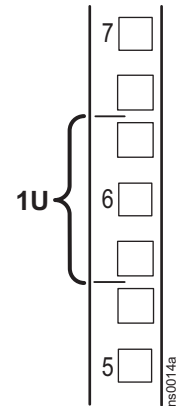
Electrical	
Input Voltage	200-240V
Input Frequency	50/60Hz
Input Power	160W
Input Current	1.4A
Input Connections	(1) C14, (1) C8
Environmental	
Operating Temperature	-25 to 60°C (-13 to 140°F)
Ingress Protection Rating	IP54
Compliance	
Safety Verification	UL

Equipment Installation

Cage Nuts

Proper location in the rack for the cage nuts:

1. Locate the top and bottom U-Space on the vertical mounting rails. Every third hole on the mounting rails is numbered to indicate the middle of a U-Space.
2. Install the cage nuts on the interior of the vertical mounting rail; then install the shelf or equipment.



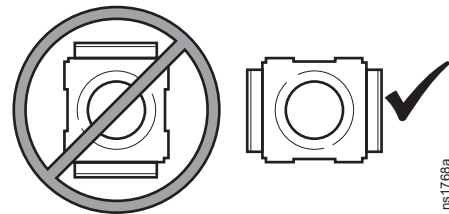
CAUTION

FALLING EQUIPMENT HAZARD

Do not install cage nuts vertically with the tabs engaging the top and bottom of the square hole.

Failure to follow these instructions can result in injury or equipment damage.

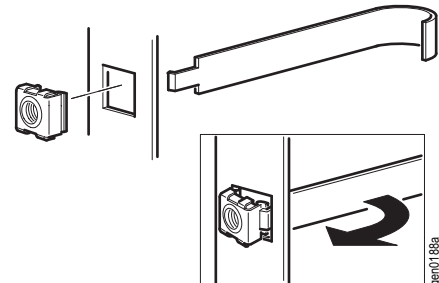
- Install cage nuts horizontally, with the tabs engaging the sides of the square hole.
- Install the cage nuts on the interior of the vertical mounting rail.



Install the cage nut:

1. From the inside of the rack, insert the cage nut into the square hole.
2. Hook one tab of the cage nut assemble through the far side of the hole.

Place the cage nut tool on the other side of the cage nut and pull to snap the cage nut into position.

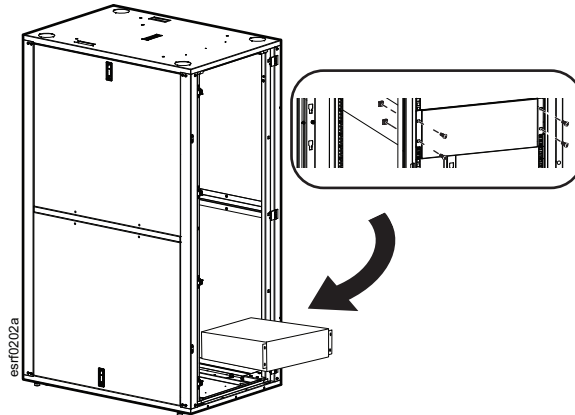


Remove the cage nut:

1. Remove any attached screw.
2. Grasp the cage nut, squeeze the tabs on the sides, and push to release it from the square hole.

Install Your Equipment (not provided)

If possible, install your equipment starting from the bottom of the enclosure and working your way up. Use the M6 cage nuts and M6 Phillips head screws supplied in the hardware bag to secure the equipment in the enclosure.

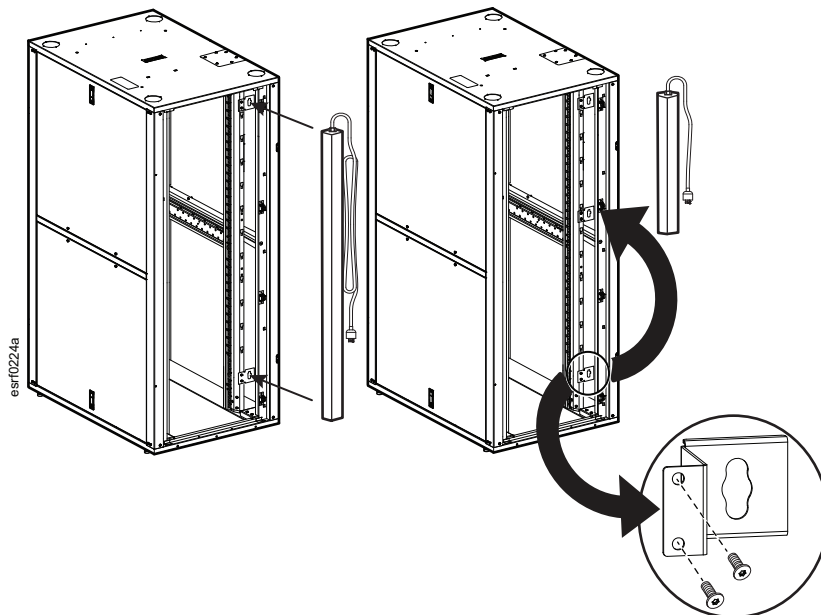


Install a Rack PDU (not provided)

Brackets are installed with two (2) flat head Torx screws and cage nuts on the vertical mounting rails at the rear of the enclosure. The brackets are installed to accommodate a full size Rack PDU.

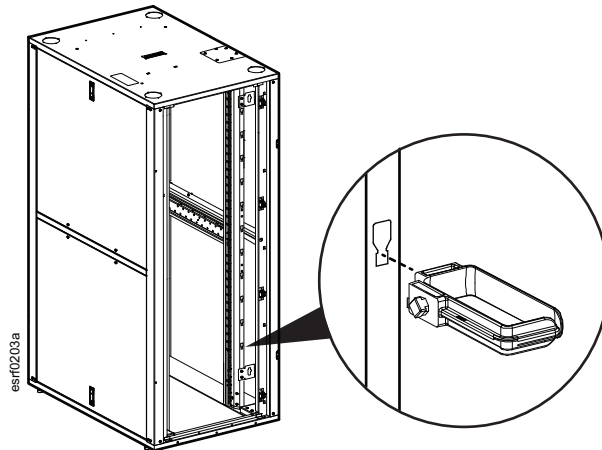
If you are using half-height Rack PDUs:

1. Remove the two (2) flat head Torx screws and cage nuts securing the bracket to the vertical mounting rail.
2. Move the bracket to a position on the vertical mounting rail that will accommodate your Rack PDU and install the bracket with the two (2) flat head Torx screws.



Install Cable Managers (not provided)

Cable managers can be installed on the vertical mounting rails.



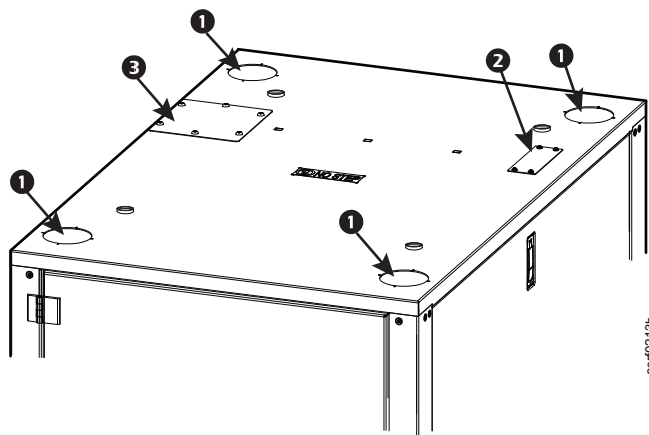
NOTE: Cable manager shown as example only.

Route Cables and Pipes

Power and communication cables and cooling unit refrigerant piping can be routed through one of the four (4) 90mm (3.5 in) knockouts **1** on the roof panel or through either of two (2) removable cover plates **2** and **3**.

Any openings used to route cables or pipes should be prepared with appropriate IP54-rated sealing solutions (not provided).



NOTE: Cover plate (2) can be removed and replaced with a Roxtec cable gland EZ Entry 10/10 (not provided). The Roxtec cable gland can be used as the pass-through for the ACRM cooling pipes.



Subsystem Integration

Safety

In addition to the Safety requirements for the enclosure itself, be aware that the components installed to the enclosure also have Safety provisions.

  DANGER
HAZARD OF ELECTRIC SHOCK, EXPLOSION, OR ARC FLASH
<ul style="list-style-type: none">• Electrical equipment must be installed, operated, serviced, and maintained only by qualified personnel.• The enclosure is intended to be installed and operated by a skilled person in a controlled location with restricted access.• The enclosure and components must be installed in accordance with the National Electrical Code and all applicable local codes.• Perform appropriate Lock Out/Tag Out procedures during equipment installation and maintenance.• Remove incoming power before performing any work. If a UPS is installed, live power exists within the equipment when power is turned off. Always use a properly rated voltage sensing device to confirm there is no voltage in the system.• Wear appropriate personal protective equipment (PPE) and follow safe electrical work practices. See NFPA 70E and follow all local codes and regulations.• Do not insert anything into the fan grill.
Failure to follow these instructions will result in death or serious injury.

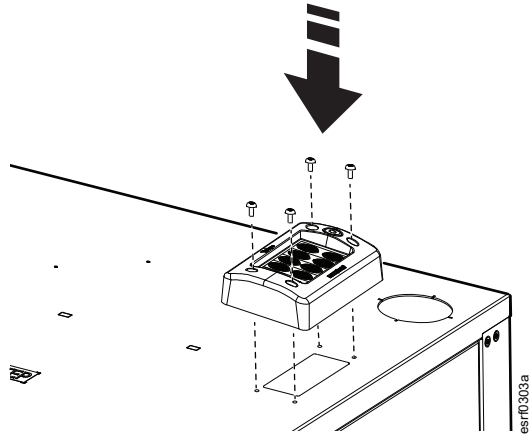
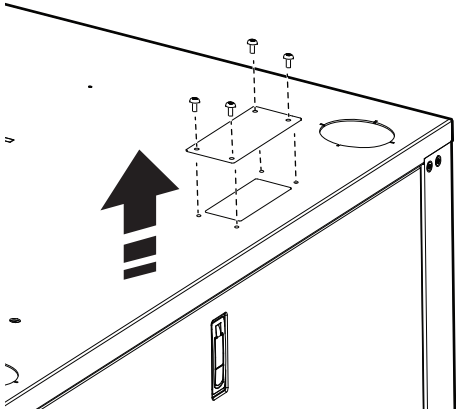
NOTICE
EQUIPMENT DAMAGE HAZARD
<ul style="list-style-type: none">• Connect only approved devices to ports on the NetBotz appliance as directed in this manual and in the NetBotz manual. Plugging in other devices may result in equipment damage.• Do not use crossover cables.
Failure to follow these instructions can result in equipment damage.

Recommended Components

Enclosure	<p>NetShelter RX 42U AR5340</p> <ul style="list-style-type: none"> • 800W x 1200D • 19 in. Rails (905kg/2000 lb Load) • Heavy Duty Casters 	<p>NetShelter RX 42U AR5340F</p> <ul style="list-style-type: none"> • 800W x 1200D • 19 in. Rails (905kg/2000 lb Load) • Heavy Duty Casters • Ventilation Fan, Louvers, and Filters
UPS	APC Smart-UPS SRT 5000VA RM 230V (SRT5KRMXLI)	
Rack PDU	AP8858, Metered, 2G, 0U, 16A, 230V, (18) C13 and (2) C19 outlets, IEC309 Cord (Qty 2)	
Cooling	<p>3.5 kW Uniflair Rack mount Air Conditioning, ACRMD4KI-1, Split system, Indoor unit with gravity drain, 50Hz</p> <p>3.5 kW Uniflair Rack mount Air Conditioning, ACRMD4KI-3, Split system, Outdoor unit without pre-charged refrigerant</p> <ul style="list-style-type: none"> • Refrigerant Top Entry Piping (ACAC10054) • Cooling Unit User Display (ACAC10045) • Mounting Rails (SRTGRK2) • Cable/Piping Entry Gland (Roxtec EZ Entry 10/10/ SE 870-66318) • Power Cable (follow installation instructions in cooling unit manual, 990-6186-001)) • Low Ambient Kit ACAC10040 Low Temp Kit (-35C°) <p>Condensate pump (Blue Diamond Mini Blue X87-512 / SE 870-66049)</p> <ul style="list-style-type: none"> • Condensate pump constant-run plug (Blue Diamond P02-048 / SE 493-0724) • Pump drain line, adapters, clamps • Pump has 1/4" OD connections • Cooling unit includes drain line with 1/2" ID reinforced tubing • Reinforced PVC tubing is required from cooling unit through roof penetration at Roxtec gland. 	
Security	<p>NetBotz 250A NBRK0250A</p> <ul style="list-style-type: none"> • Standard Keylock • Temperature and Humidity Sensor AP9335TH • NetBotz Door Contacts NBES0303 • NetBotz Spot Fluid Sensor NBES0301 <p>Or</p> <p>NetBotz 750 NBRK0750</p> <ul style="list-style-type: none"> • Standard Keylock • Temperature and Humidity Sensor AP9335TH • NetBotz Door Contacts NBES0303 • NetBotz Spot Fluid Sensor NBES0301 • NetBotz Camera Pod NBPD0165 	
Accessories	<ul style="list-style-type: none"> • Interior Lighting Kit • Toolless Cable Management Rings AP7540 • Redetec Fire Suppression System ARFS600 • Smoke Detection Sensors 	
Networking	Micro DC Switch	

Roxtec Gasket (not provided)

Remove the sealing plate on the roof and install the Cable/Piping Entry Gland Roxtec EZ Entry 10/10, using the four (4) hex head screws included.



Cooling System (not provided) Installation

The following component and accessories are recommended (not provided) if you plan to add one of the cooling systems recommended for this solution to your enclosure. Contact Customer Support at www.apc.com for assistance.

Rack Mounted Cooling Unit

Required Components:

Uniflair Rack Mount Air Conditioner (ACRMD4K-1, ACRMD4K-3)

Refrigerant Top Entry Piping (ACAC10054)

Cooling Unit User Display (ACAC10045)

Mounting Rails (SRTGRK2)

Cable/Piping Entry Gland (Roxtec EZ Entry 10/10)

Condensate Pump

Required components:

Condensate pump (ACAC10039)

Monitoring Appliance

A NetBotz appliance is required if using Rack Mounted Cooling with the fan. If using cooling without the fan, a NetBotz appliance is not required.

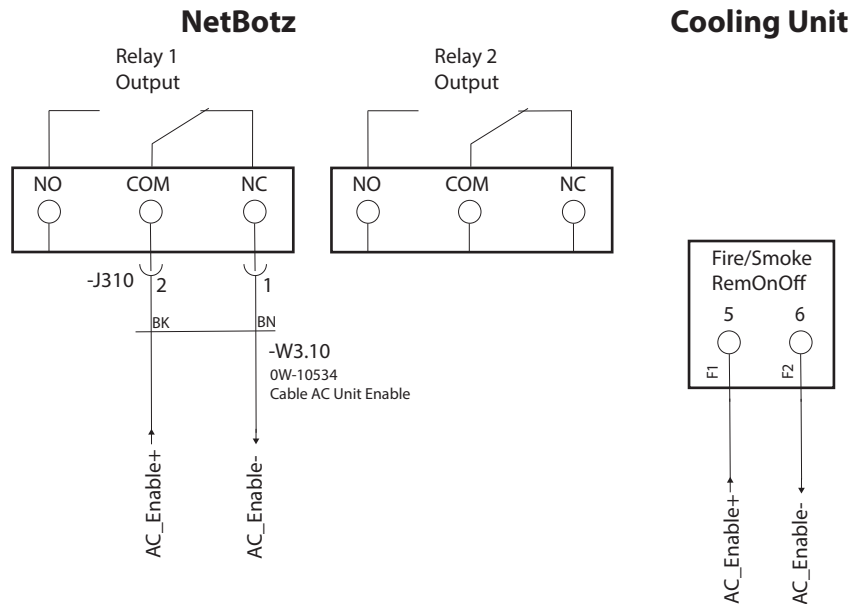
Required components when using Rack Mounted Cooling with the fan:

NetBotz 250A or NetBotz 750

Configure Cooling

Disable the Cooling Unit

To allow the NetBotz to disable the cooling unit if loss of cooling occurs, a communication cable (AC_Enable Cable, Type PLTC, 2x20AWG) is connected to the cooling unit and to the NetBotz appliance. The cable is connected to the **Relay Output** port on NetBotz 250A. The cable is connected to the **Relay 1** port on NetBotz 750.



Cooling Unit Communications for EcoStruxure IT

For your cooling unit to be discoverable by EcoStruxure IT you will need the following equipment:

- IIoT Secure Interface Gateway (TM172SIG)
- 24V (AC or DC) Power Supply
- Modbus cable (2-wire), installed between the cooling unit and the Gateway appliance (TM172SIG)

Check that the cooling unit default Modbus connection settings are:

Baud: 9600

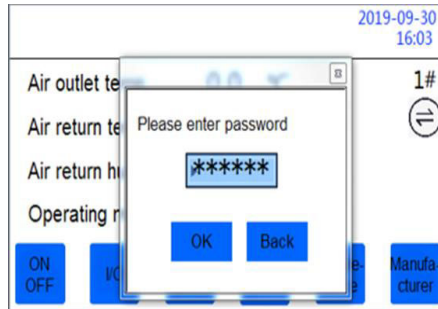
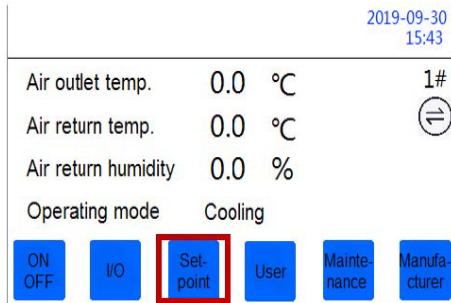
Parity: None

Configure the Cooling Unit from the Display

To Change the Air Return Temp and Air Outlet Temp Setpoints:

Press the Setpoint button

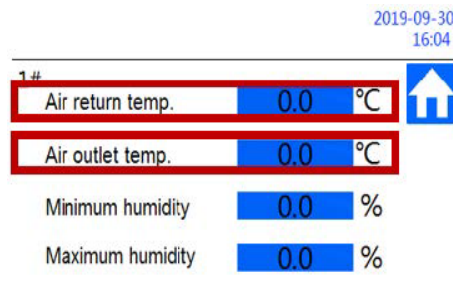
Enter the Password: 1000



Change the Air Return Temp setpoint to 30°C, The factory default setting is 35°C.

Change the Air Outlet Temp setpoint to 20°C, The factory default setting is 22°C.

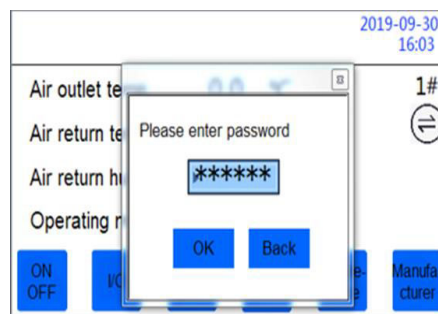
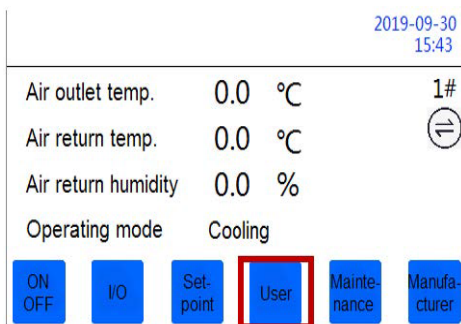
Press the Home button.



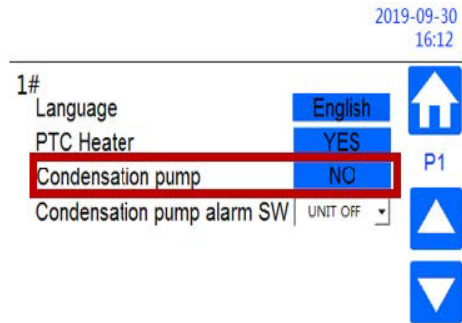
To enable the Condensate Pump:

Press the User button

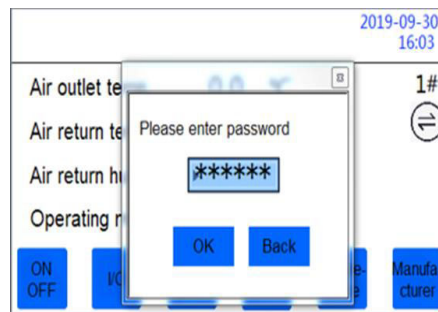
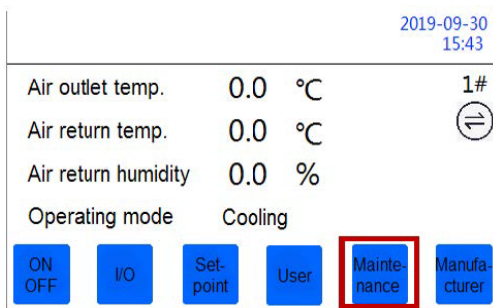
Enter the Password: 1000



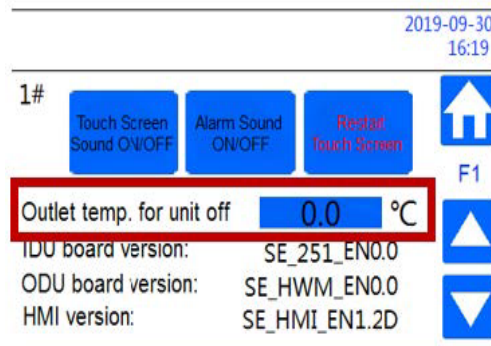
Change the Condensation pump setpoint to YES. The factory default is NO.
 Press the Home button.



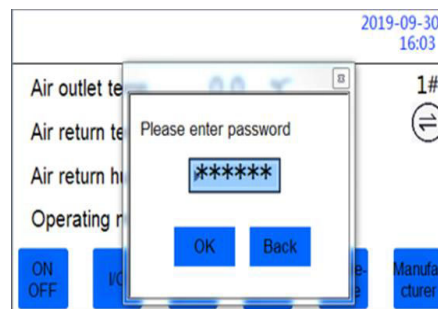
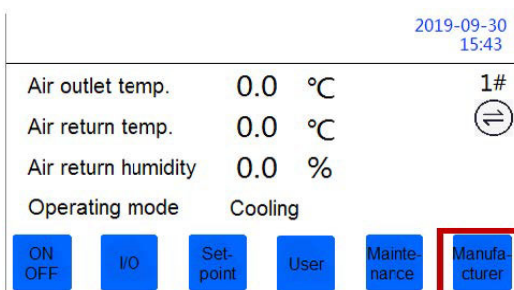
To change the Outlet temp. for unit off setpoint
 Press the Maintenance button
 Enter the Password: 1963



Change the Outlet temp. for unit off setpoint to 14°C. The factory default is 19°C.
 Press the Home button.

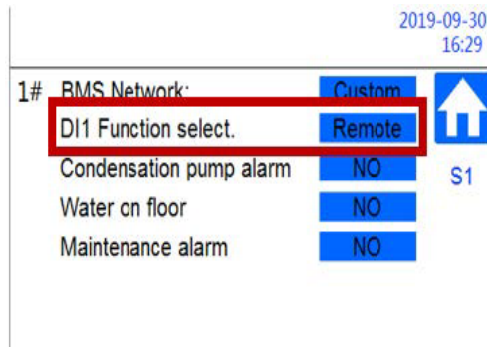
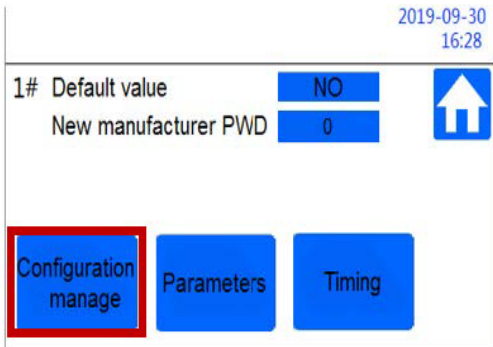


Change the DI1 Function select Configuration and Min speed of EC/DC Fan Setpoint
 Press the Manufacturer button.
 Enter the Password: 1963



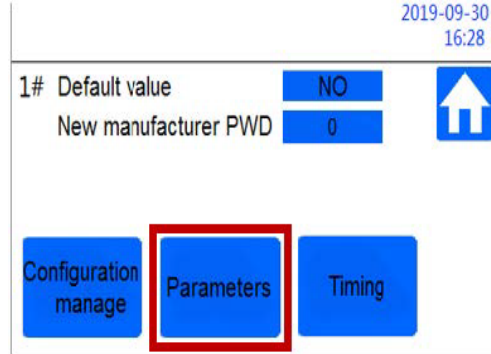
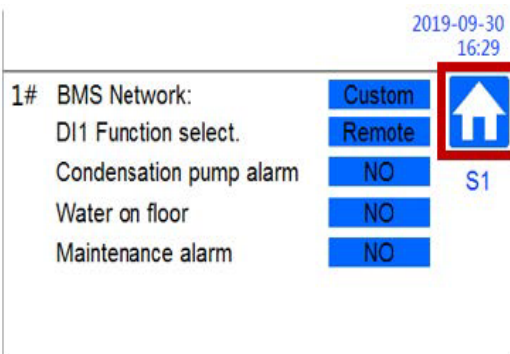
Press the Configuration manage button.

Change the DI1 Function select. configuration to Remote. The factory default is Fire/Smoke.

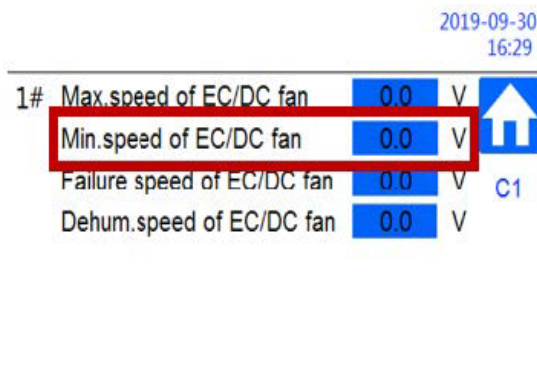


Press the Home button.

Press the Parameters button.



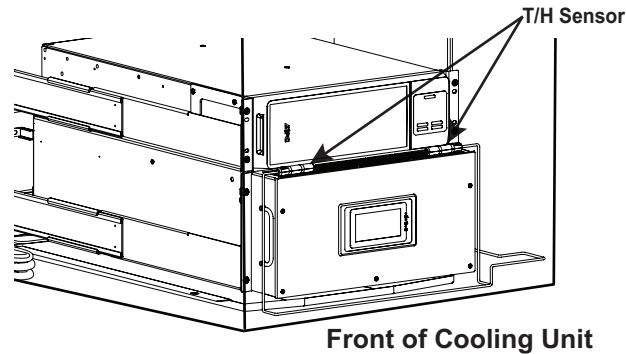
Change Min. speed of EC/DC fan setpoint to 7.0V. The factory default is 4.0V.



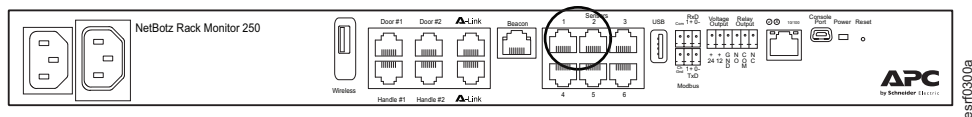
NetBotz 250A Configuration

The following instructions cover configuring your NetBotz 250A if you choose to have a Uniflair Cooling Unit (ACRMD4K1) installed in your AR5340F MDC enclosure and set up the fan unit for Emergency Ventilation. Refer to the NetBotz 250A User Guide for complete instructions on NetBotz 250A configuration.

- Sensor NB:2 and Sensor NB:3 are located directly at the Cooling Unit discharge air vent.



- Sensor NB:2 and Sensor NB:3 are connected to Universal Sensor Ports #2 and #3 on the NetBotz 250A. Using different sensor ports or the use of only 1 sensor is also acceptable but the NetBotz 250A configuration must be changed to match.



- Set the High Temperature Threshold to 35°C (95°F) to detect the loss of function of the Cooling Unit. The Max Temperature Threshold may be used instead if the customer wants to use the Hight Temp Threshold for equipment monitoring at a lower temperature. The configuration of the NetBotz 250A must be changed to map the Max Temperature Threshold.

Configuring Multiple Temperature and Humidity Sensors

Log into the NetBotz 250A User Interface and navigate to the Temperature & Humidity Sensors configuration page. Select Mass Configuration.

Status	Name	Temperature	Humidity	Location	Module Name
Normal	Sensor NB:2	23.0 °C	55 %RH	Unknown	NetBotz
Normal	Sensor NB:3	23.1 °C	50 %RH	Unknown	NetBotz

Buttons: Mass Configuration, Create Filter, Clear Filter

The Mass Configuration page allows you to configure sensors.

Mass Configuration: Temperature & Humidity Sensors

General

Name

Location

Alarm Generation

Humidity Thresholds

Maximum

High

Low

Minimum

Hysteresis

Temperature Thresholds

Maximum

High

Low

Minimum

Hysteresis

Rate Of Temperature Change

Short-term Increasing

Short-term Decreasing

Long-term Increasing

Long-term Decreasing

Buttons: Next >>, Cancel

Enable Alarm Generation. Set the Temperature Thresholds. High is set to 35°C and Hysteresis to 10°C. Click on Next.

Mass Configuration: Temperature & Humidity Sensors

General
 Alarm Generation: Disable Enable

Temperature Thresholds
 High: 35 °C [0 to 60]
 Hysteresis: 10 °C [0 to 10]

Next >> Cancel

On the Relay Output page, under Alarm Mapping, Temperature Alarms, click the box next to High Threshold Violation to put a check in the box. Click on Apply to save the selection.

Relay Output

Module Name
NetBotz

Module Location
Unknown

Alarm Status
Normal

State
Open

Name
Relay

Location
Unknown

Normal State
 Open Closed

Control
 Close Relay

Alarm Mapping

Select one or more alarms that will turn the relay on, if activated. To customize the reporting sensors, click on the alarm name. When any of the selected sensors are in an alarmed state, the output relay will be triggered to switch states.

An asterisk* indicates that not all available sensors are selected.

Temperature Alarms

- Maximum Threshold Violation
- High Threshold Violation
- Low Threshold Violation
- Minimum Threshold Violation

Humidity Alarms

- Maximum Threshold Violation
- High Threshold Violation
- Low Threshold Violation
- Minimum Threshold Violation

Voltage Alarms

- Maximum Threshold Violation*
- Minimum Threshold Violation

Temperature Rate Of Change Alarms

- Short-term Increasing Rate Violation
- Short-term Decreasing Rate Violation
- Long-term Increasing Rate Violation
- Long-term Decreasing Rate Violation

Apply Cancel

Bind the High Temperature Violation Alarm to Sensor NB:2 and Sensor NB:3 by clicking on the boxes to show a check mark in the box. Click Apply to save your selections.

Relay Output: High Temperature Threshold Violation

NetBotz TH Sensors

- Sensor NB.2
- Sensor NB.3

Apply Cancel

On the Switched Outlet page, under Alarm Mapping, Temperature Alarms, click the box next to High Threshold Violation to put a check in the box. Click on Apply to save the selection.

Switched Outlet

Module Name
NetBotz

Module Location
Unknown

Alarm Status
Normal

State
Off

Name
Outlet

Location
Unknown

Normal State
 Off On

Control
 Turn Outlet On

Alarm Mapping

Select one or more alarms that will change the outlet's state if activated. To customize the reporting sensors, click on the alarm name. When any of the selected sensors are in an alarmed state, the switched outlet will switch states.

An asterisk* indicates that not all available sensors are selected.

Temperature Alarms

- Maximum Threshold Violation
- High Threshold Violation
- Low Threshold Violation
- Minimum Threshold Violation

Humidity Alarms

- Maximum Threshold Violation
- High Threshold Violation
- Low Threshold Violation
- Minimum Threshold Violation

Voltage Alarms

- Maximum Threshold Violation
- Minimum Threshold Violation

Temperature Rate Of Change Alarms

- Short-term Increasing Rate Violation
- Short-term Decreasing Rate Violation
- Long-term Increasing Rate Violation
- Long-term Decreasing Rate Violation

Apply Cancel

Bind the High Temperature Violation Alarm to Sensor NB:2 and Sensor NB:3 by clicking on the boxes to show a check mark in the box. Click Apply to save your selections.

Switched Outlet: High Temperature Threshold Violation

NetBotz TH Sensors

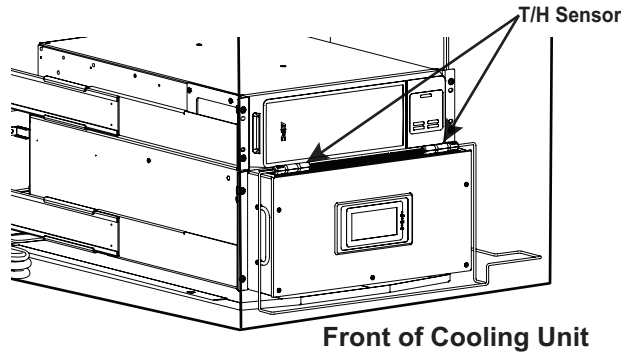
Sensor NB:2

Sensor NB:3

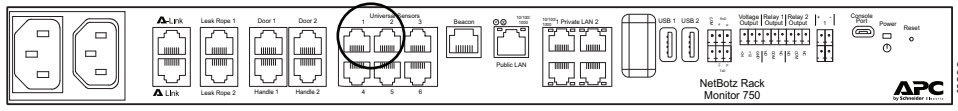
NetBotz 750 Configuration

The following instructions cover configuring your NetBotz 750 if you choose to have a Uniflair Cooling Unit (ACRMD4K1) installed in your AR5340F MDC enclosure and set up the fan unit for Emergency Ventilation. Refer to the NetBotz 750 User Guide for complete instructions on NetBotz 750 configuration.

- The Temperature 2 and Temperature 3 sensors are located directly at the cold air discharge air vent of the cooling unit.



- These sensors are connected to the Universal Sensor Ports #2 and #3 on the rear of the NetBotz 750 appliance. (Different sensor ports may be used or only one sensor may be used depending upon your requirements.)



- The NetBotz 750 configuration must be changed to match your sensor configuration.

MDC Supply Air Temperature (High) Alarm

From the NetBotz 750 Web User Interface, navigate to Alarm Configurations. Create the alarm for MDC Supply Air Temperature (high) as shown below.

Set the Value to 35°C (95°F) of the MDC Supply Air Temperature (High) Alarm. If the temperature rises above 35°C (95°F), an alarm is generated, indicating the loss of function of the cooling unit.

The screenshot shows the 'Alarm Configurations' page in the NetBotz 750 Web User Interface. The breadcrumb trail is 'Alarm Configurations > MDC Supply Air Temperature (high)'. The 'Alarm Configuration' section has tabs for 'General', 'Sensors', 'Clip Capture', 'Control', and 'Schedule'. The 'General' tab is active. The 'Name' field contains 'MDC Supply Air Temperature (high)'. The 'Type' dropdown is set to 'Temperature'. The 'Operation' dropdown is set to '> (Greater Than)' and the 'Value' field is set to '35' with a unit of '°C'. The 'Severity' dropdown is set to 'Warning'. At the bottom, there are 'OK' and 'CANCEL' buttons.

To add the cooling unit temperature sensors, open the Sensors tab. Choose the Sensors (Temperature 2, Temperature 3) by clicking on the box to place a check mark in the box.

Alarm Configurations
> MDC Supply Air Temperature (high)

Alarm Configuration

General Sensors **Clip Capture** Control Schedule

Choose sensors 2 selected

<input checked="" type="checkbox"/> Name ^	Pod	Port	Current value
<input checked="" type="checkbox"/> Temperature 2	Appliance	2	22.9 °C
<input checked="" type="checkbox"/> Temperature 3	Appliance	3	24.5 °C

OK CANCEL

Open the Control tab. Select Switched Outlet and Output 1 clicking on the box to place a check mark in the box. Set the On alarm active and On alarm clear boxes to Active.

Alarm Configurations
> MDC Supply Air Temperature (high)

Alarm Configuration

General Sensors Clip Capture **Control** Schedule

Choose controls 2 selected

Name	Pod	Port	On alarm active	On alarm clear
<input type="checkbox"/> Output 2	Appliance	2 set to	Active	Inactive
<input checked="" type="checkbox"/> Output 1	Appliance	1 set to	Active	Active
<input checked="" type="checkbox"/> Switched Outlet	Appliance	set to	Active	Active

OK CANCEL

Configure the Active Cooling Disabled Alarm

On the General tab, select Output Relay from the menu under Type. Set the Operation to + (Equals), the Value to Active and the Severity to Critical.

Alarm Configurations
> MDC Active Cooling Disabled

Alarm Configuration

General Sensors Clip Capture Control Schedule

Name
MDC Active Cooling Disabled

Type
Output Relay

Operation
= (Equals)

Value
Active

Severity
Critical

OK CANCEL

Open the Sensors tab. Select Output 1 as the NetBotz port the sensor is using.

Alarm Configurations
> MDC Active Cooling Disabled

Alarm Configuration

General Sensors Clip Capture Control Schedule

Choose sensors 1 selected

<input type="checkbox"/> Name	Pod	Port	Current value
<input checked="" type="checkbox"/> Output 1	Appliance	← 1	Inactive
<input type="checkbox"/> Output 2	Appliance	← 2	Inactive

OK CANCEL

Open the Control tab. Select Switched Outlet by clicking on the box to place a check mark in the box. Set the On alarm active and On alarm clear boxes to Active.

Alarm Configurations
> MDC Active Cooling Disabled

Alarm Configuration

General Sensors Clip Capture Control Schedule

Choose controls 1 selected

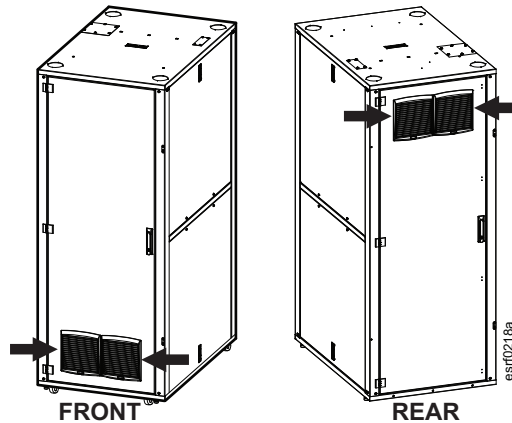
<input type="checkbox"/> Name	Pod	Port	set to	On alarm active	On alarm clear
<input type="checkbox"/> Output 2	Appliance	← 2	set to	Active	Inactive
<input type="checkbox"/> Output 1	Appliance	← 1	set to	Active	Inactive
<input checked="" type="checkbox"/> Switched Outlet	Appliance	⚡	set to	Active	Active

OK CANCEL

Maintenance

Ventilation Grille Filters

There are four (4) ventilation grilles on the enclosure, two (2) on the bottom of the front door and two (2) at the top of the rear door.



Inspect the filters at regular intervals until you can determine a schedule for filter replacement. The schedule and type of filter needed will depend on your environment.

Replacement Filters (not provided)

Part #	Description
NSYCAF223	G2 M1 Synthetic standard filters
NSYCAF223O	G2 M1 Filters for greasy environments
NSYCAF223T	G3 M1 Synthetic fine filters
NSYCAF223M	Stainless steel anti-insect filters

NOTICE

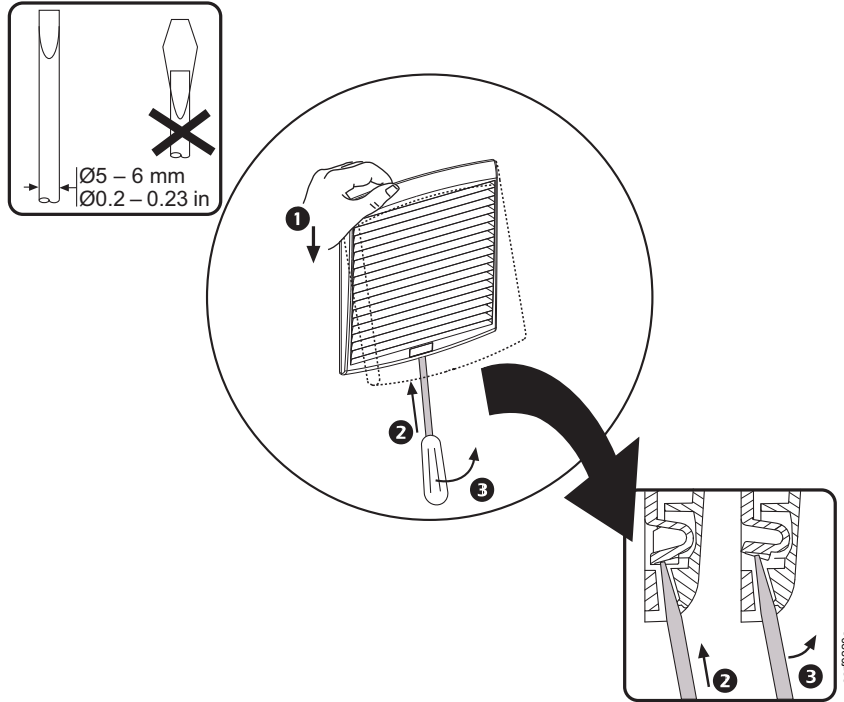
Contact customer service at www.apc.com/support to get help to order the correct filters for your environment.

Replace the filters according to the schedule you have determined. Clean filters maximize the efficiency of the fan.

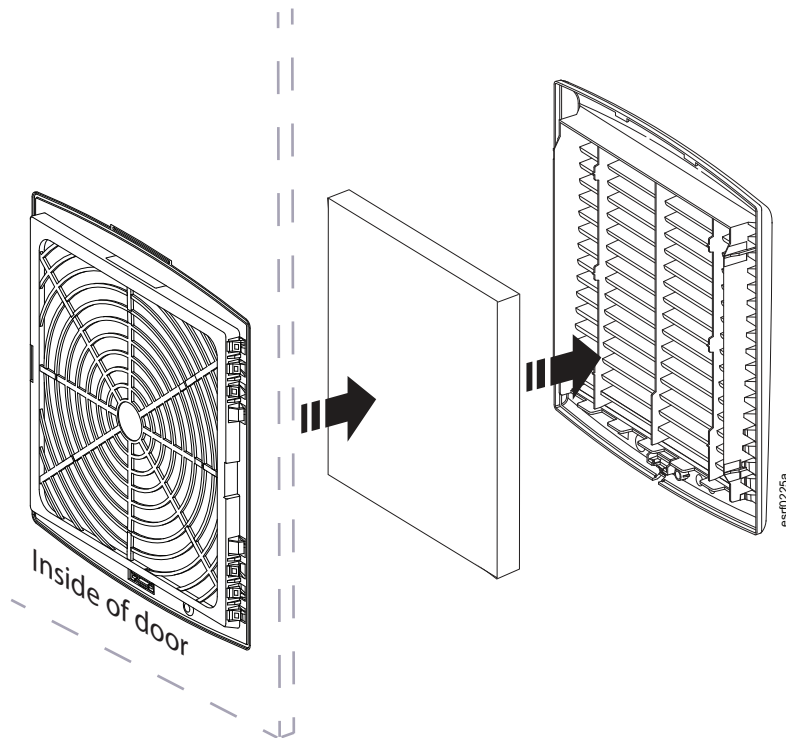
How to Access and Replace the Filters

The filters are located behind the IP54-rated air ventilation grilles.

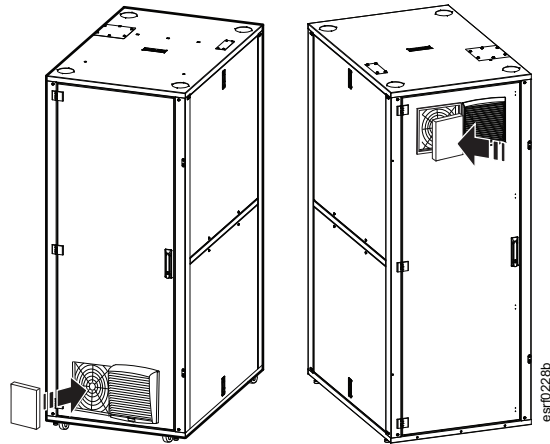
1. Remove the louvered grille covers by releasing the catch with a small screwdriver as shown below.



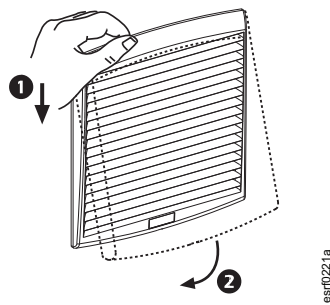
2. Once the grille cover is removed, the filter can be removed from the frame. The plastic grille cover and grille frame should be wiped with a damp cloth if necessary, to remove any dirt, dust, or debris.



3. Install the new filter to the grille frame.



4. Install the grille cover by pressing the tabs at the top of the grille cover into the grille frame (1), then press the bottom of the grille cover down to secure it in the catch on the frame (2).



Two Year Parts Only Factory Warranty

The limited warranty provided by Schneider Electric in this Statement of Limited Factory Warranty applies only to products you purchase for your commercial or industrial use in the ordinary course of your business.

Terms of warranty

Schneider Electric warrants its products to be free from defects in materials and workmanship for a period of two years from the date of purchase. The obligation of Schneider Electric under this warranty is limited to repairing or replacing, at its sole discretion, any such defective products. This warranty does not apply to equipment that has been damaged by accident, negligence, or misapplication or has been altered or modified in any way. Repair or replacement of a defective product or part thereof does not extend the original warranty period. Any parts furnished under this warranty may be new or factory- remanufactured.

Non-transferable warranty

This warranty extends only to the original purchaser who must have properly registered the product. The product may be registered at the Schneider Electric Web site, www.se.com.

Exclusions

Schneider Electric shall not be liable under the warranty if its testing and examination disclose that the alleged defect in the product does not exist or was caused by end user's or any third person's misuse, negligence, improper installation or testing. Further, Schneider Electric shall not be liable under the warranty for unauthorized attempts to repair or modify wrong or inadequate electrical voltage or connection, inappropriate on-site operation conditions, corrosive atmosphere, repair, installation, start-up by non-Schneider Electric designated personnel, a change in location or operating use, exposure to the elements, Acts of God, fire, theft, or installation contrary to Schneider Electric recommendations or specifications or in any event if the Schneider Electric serial number has been altered, defaced, or removed, or any other cause beyond the range of the intended use.

THERE ARE NO WARRANTIES, EXPRESS OR IMPLIED, BY OPERATION OF LAW OR OTHERWISE, OF PRODUCTS SOLD, SERVICED OR FURNISHED UNDER THIS AGREEMENT OR IN CONNECTION HEREWITH. SCHNEIDER ELECTRIC DISCLAIMS ALL IMPLIED WARRANTIES OF MERCHANTABILITY, SATISFACTION AND FITNESS FOR A PARTICULAR PURPOSE. SCHNEIDER ELECTRIC EXPRESS WARRANTIES WILL NOT BE ENLARGED, DIMINISHED, OR AFFECTED BY AND NO OBLIGATION OR LIABILITY WILL ARISE OUT OF, SCHNEIDER ELECTRIC RENDERING OF TECHNICAL OR OTHER ADVICE OR SERVICE IN CONNECTION WITH THE PRODUCTS. THE FOREGOING WARRANTIES AND REMEDIES ARE EXCLUSIVE AND IN LIEU OF ALL OTHER WARRANTIES AND REMEDIES. THE WARRANTIES SET FORTH ABOVE CONSTITUTE SCHNEIDER ELECTRIC'S SOLE LIABILITY AND PURCHASER'S EXCLUSIVE REMEDY FOR ANY BREACH OF SUCH WARRANTIES. SCHNEIDER ELECTRIC WARRANTIES EXTEND ONLY TO PURCHASER AND ARE NOT EXTENDED TO ANY THIRD PARTIES.

IN NO EVENT SHALL SCHNEIDER ELECTRIC, ITS OFFICERS, DIRECTORS, AFFILIATES OR EMPLOYEES BE LIABLE FOR ANY FORM OF INDIRECT, SPECIAL, CONSEQUENTIAL OR PUNITIVE DAMAGES, ARISING OUT OF THE USE, SERVICE OR INSTALLATION, OF THE PRODUCTS, WHETHER SUCH DAMAGES ARISE IN CONTRACT OR TORT, IRRESPECTIVE OF FAULT, NEGLIGENCE OR STRICT LIABILITY OR WHETHER SCHNEIDER ELECTRIC HAS BEEN ADVISED IN ADVANCE OF THE POSSIBLY OF SUCH DAMAGES. SPECIFICALLY, SCHNEIDER ELECTRIC IS NOT LIABLE FOR ANY COSTS, SUCH AS LOST PROFITS OR REVENUE, LOSS OF EQUIPMENT, LOSS OF USE OF EQUIPMENT, LOSS OF SOFTWARE, LOSS OF DATA, COSTS OF SUBSTITUENTS, CLAIMS BY THIRD PARTIES, OR OTHERWISE.

NO SALESMAN, EMPLOYEE OR AGENT OF SCHNEIDER ELECTRIC IS AUTHORIZED TO ADD TO OR VARY THE TERMS OF THIS WARRANTY. WARRANTY TERMS MAY BE MODIFIED, IF AT ALL, ONLY IN WRITING SIGNED BY AN SCHNEIDER ELECTRIC OFFICER AND LEGAL DEPARTMENT.

Warranty claims

Customers with warranty claims issues may access the Schneider Electric customer support network through the Support page of the Schneider Electric Web site, www.se.com/support. Select your country from the country selection pull-down menu at the top of the Web page. Select the Support tab to obtain contact information for customer support in your region.

APC

70 Mechanic Street
Foxboro, MA 02035
USA

www.apc.com

As standards, specifications, and design change from time to time,
please ask for confirmation of the information given in this publication.

© 2023 - **Schneider Electric**. All rights reserved.

990-900004B