

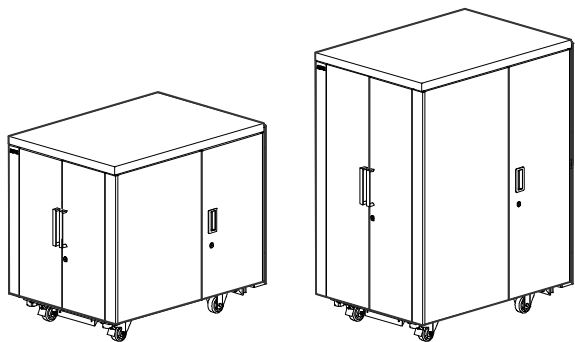
Installation and Customization

NetShelter™ CX SP

18 U and 24 U Enclosures with Shock Packaging

990-91180-001

Publication Date: July 2018



Schneider Electric Legal Disclaimer

The information presented in this manual is not warranted by Schneider Electric to be authoritative, error free, or complete. This publication is not meant to be a substitute for a detailed operational and site specific development plan. Therefore, Schneider Electric assumes no liability for damages, violations of codes, improper installation, system failures, or any other problems that could arise based on the use of this Publication.

The information contained in this Publication is provided as is and has been prepared solely for the purpose of evaluating data center design and construction. This Publication has been compiled in good faith by Schneider Electric. However, no representation is made or warranty given, either express or implied, as to the completeness or accuracy of the information this Publication contains.

IN NO EVENT SHALL SCHNEIDER ELECTRIC, OR ANY PARENT, AFFILIATE OR SUBSIDIARY COMPANY OF SCHNEIDER ELECTRIC OR THEIR RESPECTIVE OFFICERS, DIRECTORS, OR EMPLOYEES BE LIABLE FOR ANY DIRECT, INDIRECT, CONSEQUENTIAL, PUNITIVE, SPECIAL, OR INCIDENTAL DAMAGES (INCLUDING, WITHOUT LIMITATION, DAMAGES FOR LOSS OF BUSINESS, CONTRACT, REVENUE, DATA, INFORMATION, OR BUSINESS INTERRUPTION) RESULTING FROM, ARISING OUT, OR IN CONNECTION WITH THE USE OF, OR INABILITY TO USE THIS PUBLICATION OR THE CONTENT, EVEN IF SCHNEIDER ELECTRIC HAS BEEN EXPRESSLY ADVISED OF THE POSSIBILITY OF SUCH DAMAGES. SCHNEIDER ELECTRIC RESERVES THE RIGHT TO MAKE CHANGES OR UPDATES WITH RESPECT TO OR IN THE CONTENT OF THE PUBLICATION OR THE FORMAT THEREOF AT ANY TIME WITHOUT NOTICE.

Copyright, intellectual, and all other proprietary rights in the content (including but not limited to software, audio, video, text, and photographs) rests with Schneider Electric or its licensors. All rights in the content not expressly granted herein are reserved. No rights of any kind are licensed or assigned or shall otherwise pass to persons accessing this information.

This Publication shall not be for resale in whole or in part.

Contents

- General Information 1**
 - NetShelter CX SP cabinets1
 - Receipt and Inspection..... 1
 - Safety Information..... 2
 - About This Manual 2
 - Related Documents..... 2
 - User Comments..... 2

- Safety..... 3**
 - Important Safety Instructions 3

- Product Overview..... 4**
 - Inventory (24 U cabinet shown)..... 4
 - Preparation 5
 - Tools required (not provided) 5

- Configuration..... 6**
 - Blanking panels..... 6
 - Front doors and Side Panels 6
 - Hinges 6

- Installation 8**
 - Stabilize the Cabinet 8
 - Grounding the Cabinet 9

| | |
|--|-----------|
| Fan Module Removal and Installation | 10 |
| Unlock the fan module | 10 |
| Lock the fan module | 10 |
| Open the fan module | 11 |
| Remove the fan modules | 11 |
| Install the fan module | 11 |
| Vertical Mounting Flanges | 12 |
| Adjusting the vertical mounting flanges on the side braces | 13 |
| Rack Mount Equipment Installation | 14 |
| One U-space on the vertical mounting flange | 14 |
| Cage nut installation | 14 |
| Cage nut removal | 14 |
| Equipment Planning Guidelines | 15 |
| Internal Cabinet Dimensions | 16 |
| Cable Management | 17 |
| Rear cable access port | 17 |
| Vertical 0U accessory channels | 17 |
| Cable management options for the cabinets | 18 |
| Air Circulation | 21 |
| Cabinet placement | 21 |
| Rack PDU Options for your NetShelter CX SP Cabinet. | 22 |
| Connect the Rack PDU | 22 |
| Specifications | 23 |
| 18, 24 U Cabinets | 23 |
| Two-Year Factory Warranty | 24 |
| Terms of warranty | 24 |
| Non-transferable warranty | 24 |
| Exclusions | 24 |
| Warranty claims | 24 |

General Information

NetShelter CX SP cabinets are specialized cabinets with integrated cooling, noise dampening, and power distribution for server and network applications in office environments. The cabinets provide storage for industry-standard (EIA-310), 19 in. rack-mount hardware, which includes servers, voice, data, networking, internetworking, and Schneider Electric power protection equipment.

NetShelter CX SP cabinets

| Model | Voltage and Connector Type | Rack Mounting Height | Rack Mounting Width mm (in.) | Rack Mounting Depth mm (in.) | External cabinet Height mm (in.) | External cabinet Width mm (in.) | External cabinet Depth mm (in.) |
|--|----------------------------|----------------------|------------------------------|------------------------------|----------------------------------|---------------------------------|---------------------------------|
| AR4018SP AR4018SPX429 AR4018SPX431 AR4018SPX432 | 100-240V IEC-320 C14 | 18 U [†] | 482 (19) | 862 (33.93) | 1015 (40) | 750 (29.53) | 1130 (44.5) |
| AR4024SP AR4024SPX429 AR4024SPX431 AR4024SPX432 | 100-240V IEC-320 C14 | 24U | 482 (19) | 862 (33.93) | 1275 (50.2) | 750 (29.53) | 1130 (44.5) |

[†]One U= 44.45 mm (1.75 in.). See “One U-space on the vertical mounting flange” on page 14.

Receipt and Inspection

It is your responsibility to inspect the cabinet upon receipt and report any damage to the shipper immediately. Contact Customer Support at www.apc.com or your local APC by Schneider Electric supplier after reporting damage to the shipper.

Safety Information

Read the instructions carefully and become familiar with the cabinet before trying to install or maintain it. The following special messages may appear throughout this manual or on the cabinet to warn of potential hazards or to call attention to information that clarifies or simplifies a procedure.



The addition of this symbol to a Danger or Warning safety label indicates that an electrical hazard exists which will result in personal injury if the instructions are not followed.



This is the safety alert symbol. It is used to alert you to potential personal injury hazards. Obey all safety messages that follow this symbol to avoid possible injury or death.

| |
|---|
| ⚠ DANGER |
| DANGER indicates an imminently hazardous situation which, if not avoided, will result in death or serious injury. |
| ⚠ WARNING |
| WARNING indicates a potentially hazardous situation which, if not avoided, can result in death or serious injury. |
| ⚠ CAUTION |
| CAUTION indicates a potentially hazardous situation which, if not avoided, can result in minor or moderate injury. |
| CAUTION |
| CAUTION (without alert symbol) indicates a potentially hazardous situation which, if not avoided, can result in equipment damage. |
| NOTICE |
| NOTICE addresses practices not related to physical injury including certain environmental hazards, potential damage or loss of data. |

About This Manual

This manual is intended for users of the specified APC by Schneider Electric equipment. It contains important safety warnings and instructions and provides detailed information for proper use of the equipment.

Related Documents

Download technical publications and other technical information or look for updates to your manual at our website at www.apc.com.

User Comments

Contact www.apc.com/support. We welcome your comments about this document.

Safety

Important Safety Instructions

SAVE THESE INSTRUCTIONS

This manual contains important instructions that must be followed during installation, operation, and maintenance of the equipment.

Use caution when moving an empty cabinet on its casters. The cabinet may be unstable when pushed or pulled from the side. Push the cabinet from the front or back when moving it on its casters. For extra stability, load 158 kg (350 lbs) of equipment into the bottom of the cabinet before moving it on its casters.

⚠ ⚠ DANGER

HAZARD OF ELECTRIC SHOCK, EXPLOSION, OR ARC FLASH

- Follow all local and national codes when installing a Rack PDU.
- Connect the Rack PDU to the UPS, if installed, or to a single-outlet dedicated circuit protected by a circuit breaker or fuse with the same current rating as the Rack PDU.
- Power off the UPS or Mains Supply before connecting the Rack PDU.
- The plug or inlet serves as the disconnect for the Rack PDU. Make sure the utility power outlet for the Rack PDU will be close to the Rack PDU and readily accessible.

Failure to follow these instructions will result in death or serious injury.

⚠ WARNING

TIP HAZARD

- Stabilize the cabinet before installing the components.
- Do not extend components on sliding rails out from the cabinet until you have installed similar equipment in the cabinet to balance the distribution of weight.
- Do not extend more than one component from the cabinet at a time.
- Load the heaviest components first, and place them toward the bottom of the cabinet to prevent the cabinet from becoming top-heavy.

Failure to follow these instructions can result in death, serious injury, or equipment damage.

⚠ CAUTION

WEIGHT AND LEVERAGE HAZARD

- Doors and side panels are heavy. Removal or installation requires two people.
- Fan modules are heavy. Two people are recommended when removing the fan modules from the cabinets.

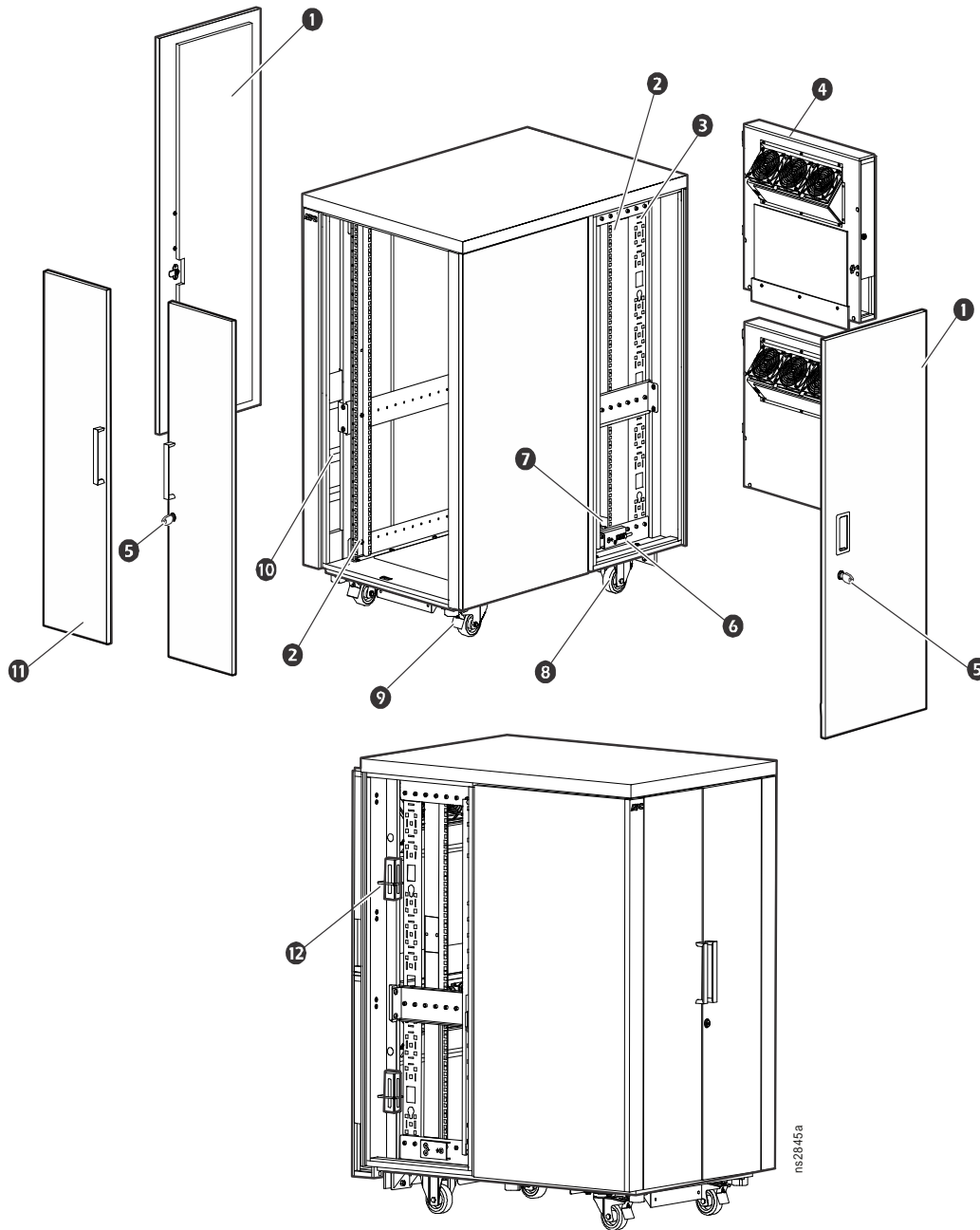
Failure to follow these instructions can result in injury.

NOTICE

To ensure adequate air movement, place the sides of the cabinet no closer than six to eight inches from the wall.

Product Overview

Inventory (24 U cabinet shown)

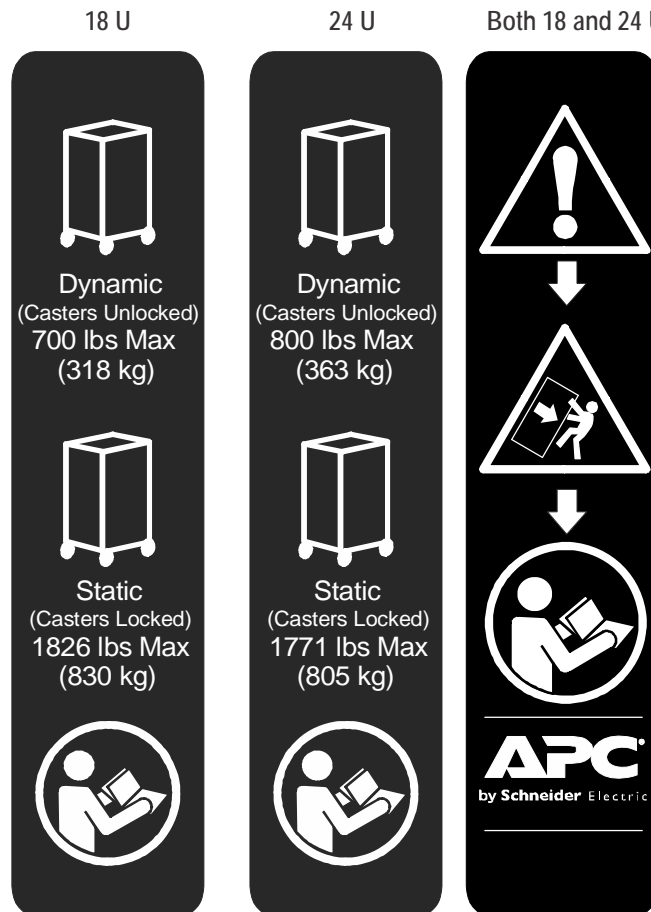


- | | |
|---|-------------------------------|
| ❶ Side access panel (2) | ❷ Cable access port |
| ❸ Vertical mounting flange (4) | ❸ Caster (2) |
| ❹ Vertical OU accessory channel (4) | ❹ Locking caster (2) |
| ❺ Fan module (2) 24 U, (1) 18 U cabinet | ❺ Airflow opening |
| ❻ Key (2) [†] | ❻ Front door (2) |
| ❼ Sliding rail with grounding points | ❼ Fan module power supply (2) |

[†] The door/side panel keys are not installed and can be found packed inside the cabinet.

Preparation

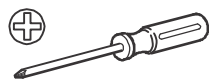
Labels: The labels in the illustration below can be found on the NetShelter CX SP 18 U and 24 U cabinets. These labels serve to communicate important safety information such as tipping hazards for cabinets in general, and weight restrictions of the casters which are different for the 18 U and 24 U cabinets.



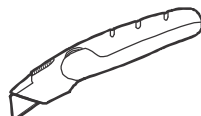
Weight limits: The cabinet can be moved on its casters with up to 318 kg (700 lb) of equipment installed in the 18 U cabinet and up to 363 kg (800 lb) of equipment installed in the 24 U cabinet. Lock the swivel casters once you have the cabinet in place. The static cabinet can be loaded to 830 kg (1,826 lb) in the 18 U cabinet and 805 kg (1,771lb) in the 24 U cabinet.

| ⚠ WARNING | |
|---|--|
| TIP HAZARD | |
| <ul style="list-style-type: none"> • To prevent tipping, push the cabinet from the front or back, not the sides. • For greater stability, load 159 kg (350 lbs) or more in the bottom of the cabinet before moving. | |
| Failure to follow these instructions can result in death, serious injury, or equipment damage. | |

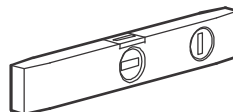
Tools required (not provided)



Phillips screwdriver



Utility knife



Level



Cage nut tool

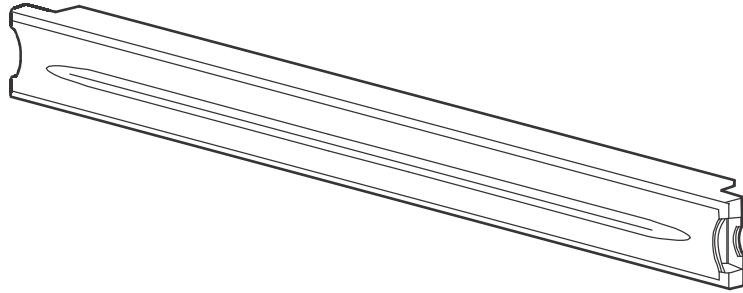
Configuration

Before installing the enclosure, plan the location and space needed to install equipment, and plan the ergonomics of keyboards and video monitors. Improper airflow could damage installed components.

Blanking panels

Use blanking panels to close up large open spaces in the cabinet but not to completely seal the cabinet. The NetShelter CX SP works best when air can travel not just through the equipment vents, but also above and below any equipment that generates thermal energy.

APC by Schneider Electric offers modular, plastic Airflow Management Blanking Panels that snap into place without tools (AR8136BLK).



Front doors and Side Panels

The front doors and side panels may be opened or removed to access the interior. Locking side panels offer additional security and assist with proper airflow within the cabinet.

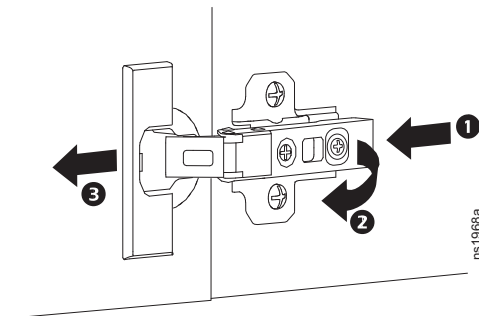
To avoid personal injury or damage to the cabinet, one person should support the door or side panel while another person removes the door or side panel from its frame.

| |
|--|
| ⚠ CAUTION |
| WEIGHT AND LEVERAGE HAZARD |
| Doors and side panels are heavy. Removal and installation requires two people. |
| Failure to follow these instructions can result in injury. |

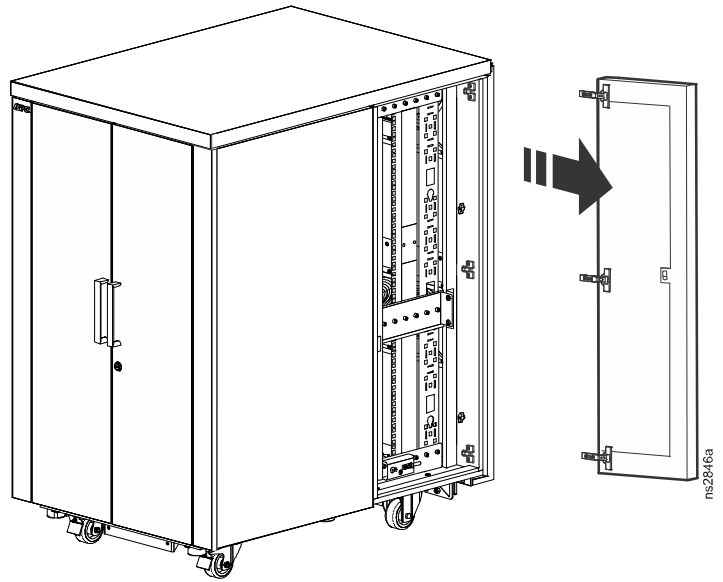
Hinges

Removal:

- 1 Press on the hidden latch under the side arm.
- 2 Lift the hinge arm off the mounting plate
- 3 Slide the latch and door away from the mounting plate.

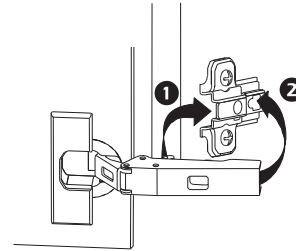


When all hinges are detached from their mountings, the door can be removed.



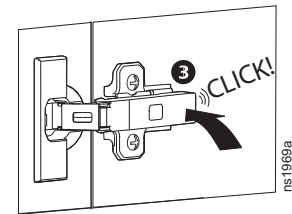
Installation:

Slide the latch end of the hinge on the door or side panel **1** into the front of the mounting plate **2** attached to the inside of the cabinet.



Using finger pressure, press the latch onto the mounting plate. The latch will secure with an audible click **3**.

The hinges are attached to their mountings in the cabinet to complete door installation. 24U cabinets have three (3) hinges per door. The 18U cabinets have two (2) hinges per door.



Installation

⚠ CAUTION

HEAVY EQUIPMENT HAZARD

It is recommended that two people move and position the cabinet.

Failure to follow these instructions can result in injury, or equipment damage.

Stabilize the Cabinet

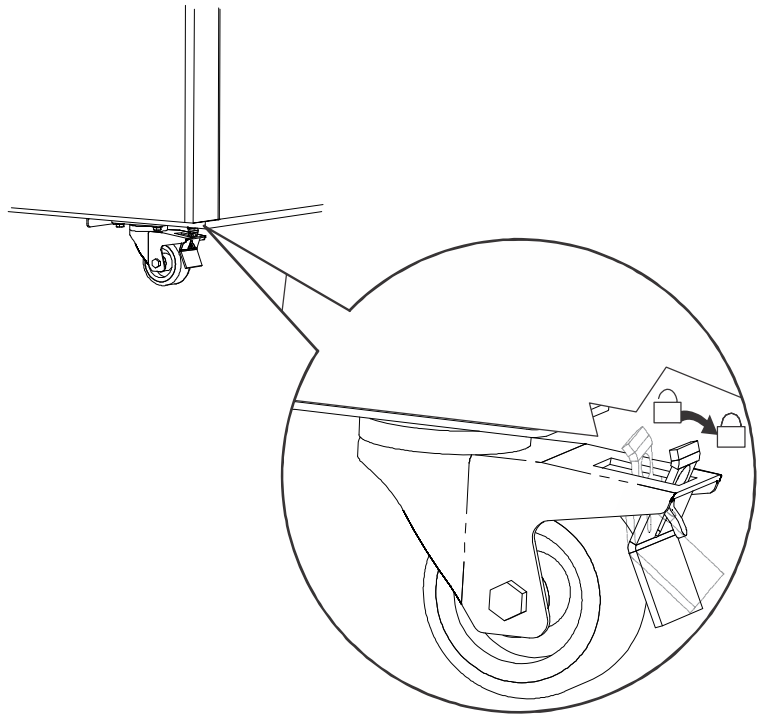
⚠ CAUTION

PINCH POINT HAZARD

Do not use your hands to release the locking casters.

Failure to follow these instructions can result in injury.

The casters on the front of the cabinet can be locked to hold the cabinet in place. Step down on the locking plate to lock and pull up on the locking plate with your foot or a tool to release the lock. Do not attempt to release the locking plate with your hands.



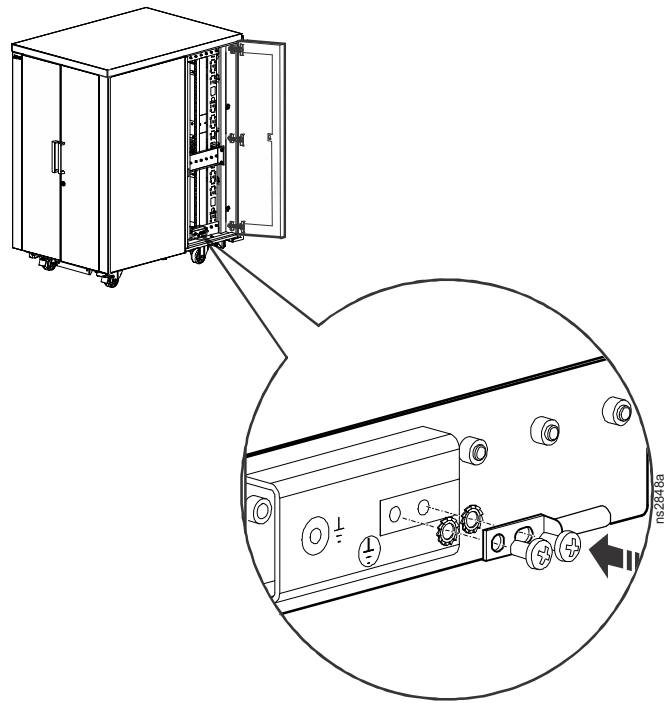
Grounding the Cabinet

Each cabinet shall be grounded directly to the building ground using the designated grounding location.

Unlock the side panel on the right side of the cabinet and open the panel. The sliding rail with grounding points is located on the bottom rail as shown in the illustration to the right.

Attach your ground wire using the two M6 threaded inserts (provided) and paint-piercing washers (not provided) installed in the sliding rail at the bottom rear of the cabinet.

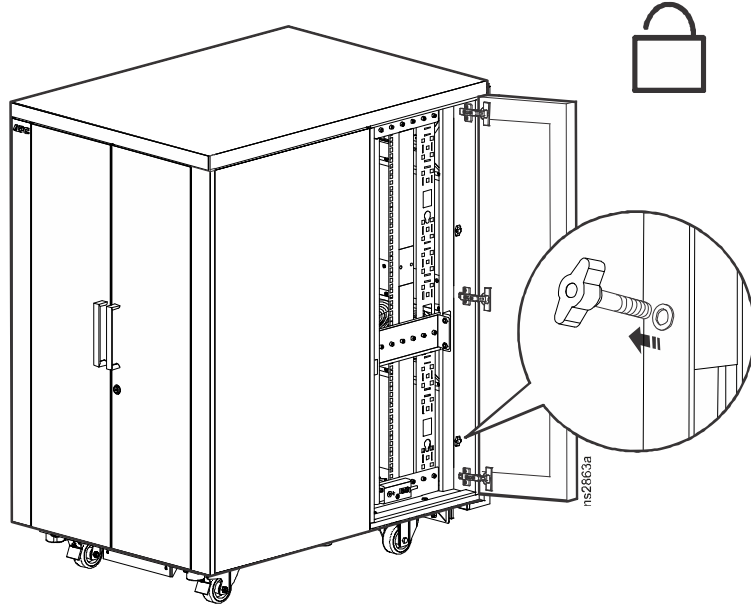
- Use a Common Bonding Network Jumper kit (for example, Listed [KDER] Panduit RGCBNJ660PY or equivalent).
- Use paint-piercing washers between the ground terminal and the cabinet frame or remove the paint on the frame under the ground terminals per NEC NFPA 70 Article 250.12.
- Torque the screws to 6.9 N-m (60 in-lb).



Fan Module Removal and Installation

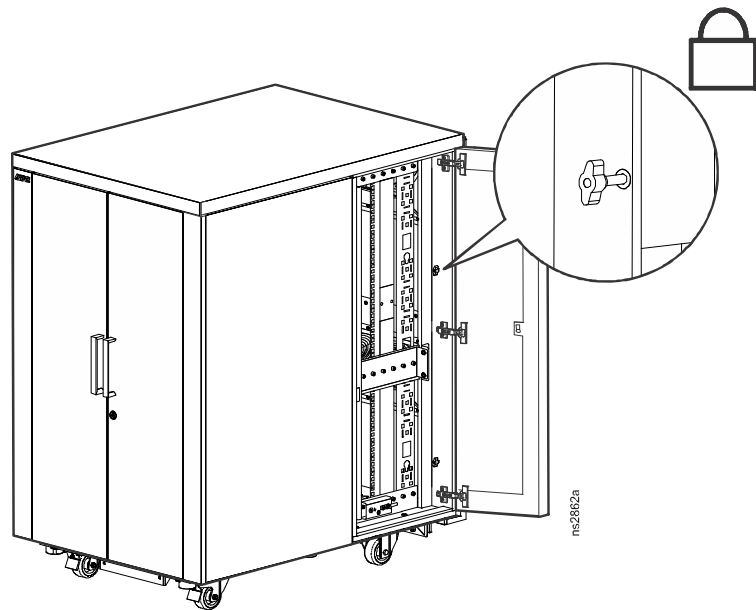
Unlock the fan module

Open the right hand side access panel. Unscrew the thumbscrew on the right side of the fan module to unlock the fan module so it can be opened.



Lock the fan module

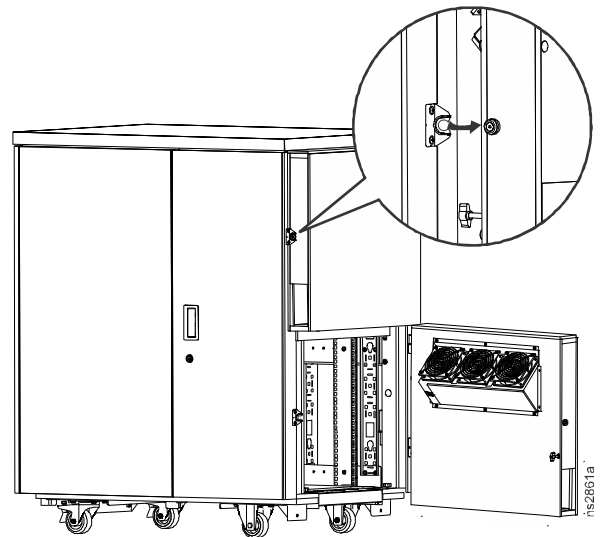
Open the right hand side access panel. Install the thumbscrew on the right side of the fan module to lock the fan module in place.



Open the fan module

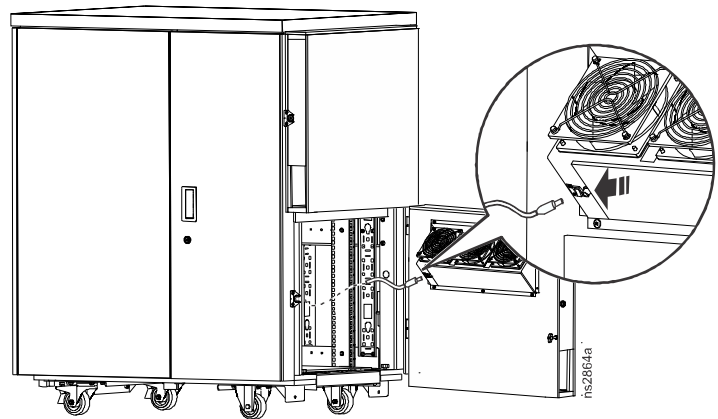
Button latch operation: The button part of the module's door latch assembly pulls apart from the clasp side to release the fan module door.

Door opening sequence: On 24 U cabinets, open the bottom module first, then open the top module.



Swing the fan module out on its hinges.

Disconnect the fan module power supply lead from the fan module.



Remove the fan modules

⚠ CAUTION

HEAVY EQUIPMENT HAZARD

Fan modules are heavy. Two people are recommended to remove the fan modules from the cabinets.

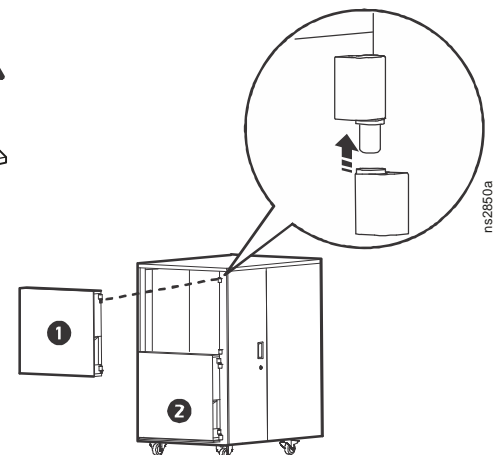
Failure to follow these instructions can result in injury, or equipment damage.

NOTE: Remove the top fan module first on 24 U cabinets.

Lift the fan module from the hinges attached to the cabinet.

Module removal sequence:

- 1 Remove the top fan module
- 2 Remove the bottom fan module



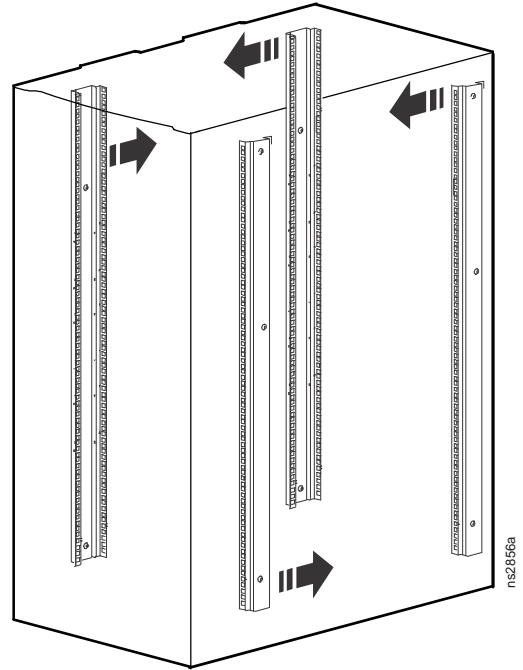
Install the fan module

Reverse the removal procedure to install the fan module.

Vertical Mounting Flanges

Vertical mounting flanges come factory-installed on the cabinet in the proper position for use with rack-mountable equipment having a depth of 782 mm (38.8 in.). The front mounting flanges are adjustable towards the rear of the cabinet to accommodate different rails or equipment with other depths. The rear mounting flanges are adjustable towards the front. The flanges can be adjusted to be as close as 120 mm (4.7 in.) or as far as 862 mm (33.94 in.) apart in 40 mm (1.5 in.) increments.

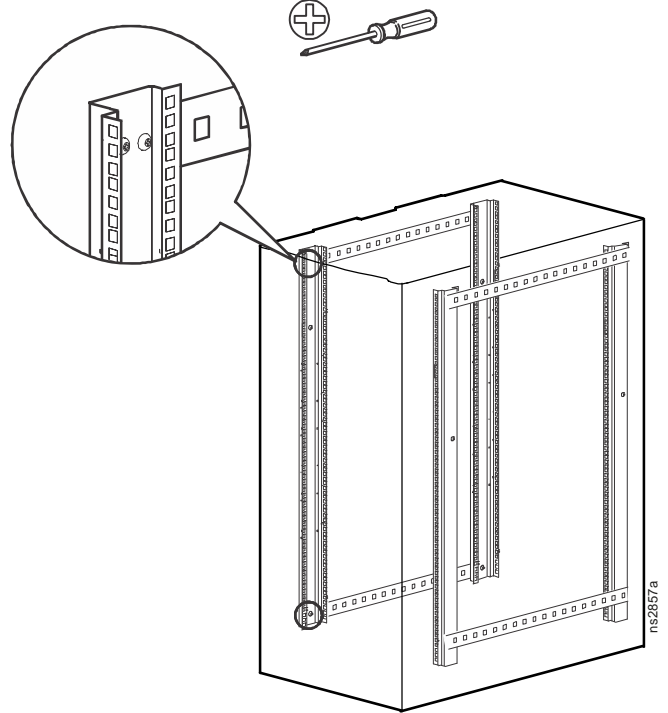
A common application for the cabinet is to move the flanges to a depth of 476 mm (18.75 in.) to accommodate networking and telecommunications equipment.



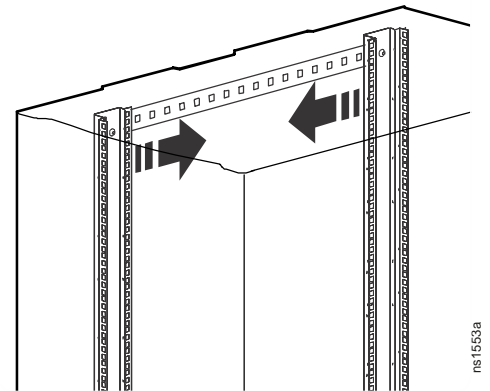
Adjusting the vertical mounting flanges on the side braces

Perform this procedure without any equipment installed on the mounting flanges.

1. Use a Phillips screwdriver (not provided) to remove the screws in the vertical mounting flange.



2. Move the vertical mounting flange to the desired position and install the screws.

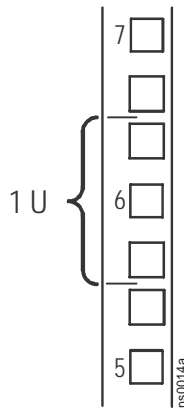


Rack Mount Equipment Installation

This section provides information on how to install rack-mount equipment in the cabinet. The manufacturer's instructions included with the equipment provide more detailed information.

One U-space on the vertical mounting flange

To install rack-mount equipment, locate the top and bottom of a U-space on the mounting flanges. Every third hole on the mounting flanges of a NetShelter CX SP cabinet is numbered to indicate the middle of a U-space. A U-space consists of one of these numbered holes and one hole directly above and below it, as shown.

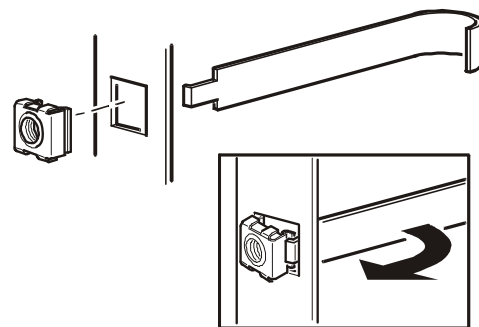


Cage nut installation

Schneider Electric offers a cage nut hardware kit (AR8100) for use with square holes.

| |
|--|
| ⚠ CAUTION |
| HAZARD OF FALLING EQUIPMENT |
| Never install cage nuts vertically with the ears (or tabs) engaging the top and bottom of the square hole. This will result in insecure mounting for rack-mounted equipment. |
| Failure to follow these instructions can result in injury or equipment damage. |

1. Install cage nuts on the interior of the vertical mounting flange. Install cage nuts horizontally, with the ears (tabs) engaging the sides of the square hole. Insert the cage nut into the square hole by hooking one ear (tab) of the cage nut assembly through the far side of the hole.
2. Place the cage nut tool (not provided) on the other side of the cage nut and pull to snap it into position.



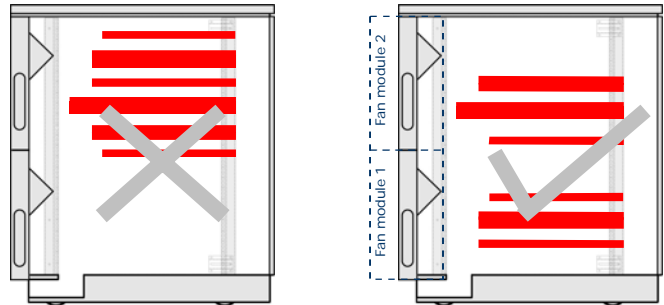
Cage nut removal

1. Remove any attached screw.
2. Grasp the cage nut and squeeze the sides to release it from the square hole.

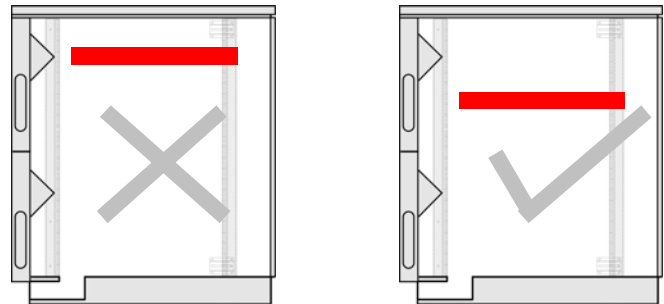
Equipment Planning Guidelines

Please note the following guidelines for proper installation and operation of hardware in a NetShelter CX cabinet.

Avoid clustering hot-running equipment such as servers, dense redundant arrays of independent disks (RAID), and large voice-over-internet-protocol (VOIP) switches in one part of the cabinet. Distribute the thermal load evenly up and down the cabinet such that each fan module supports an equal amount of the thermal load.



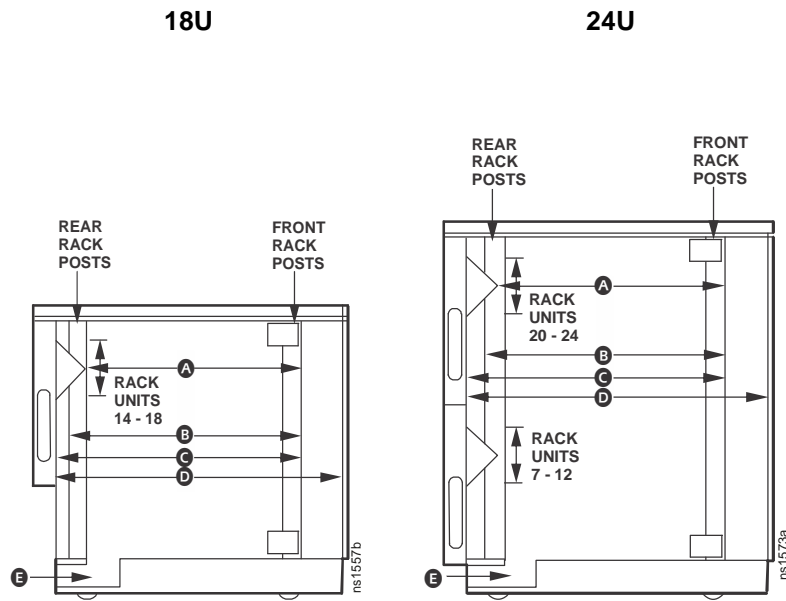
Each fan module has a triangular metal section which protrudes slightly into the cabinet. This does not create an issue for installation of most equipment, but to allow for ample cabling space to the rear of the cabinet, deep servers should be installed in the cabinet space above and below these triangular metal protrusions.



Internal Cabinet Dimensions

The fan module creates a triangular protrusion which reduces the internal depth of the cabinet at that point.

The depth of your equipment should be considered to ensure room for cables and for adequate air circulation. Deep servers should be moved above or below the protrusions.



Dimension key:

- a. 840 mm (33.10 in.)
- b. 782mm (30.8 in.)
- c. 934 mm (36.77 in.)
- d. 1001 mm (39.41 in.)
- e. Indicates soundproofed cable entry/exit pathway.

Cable Management

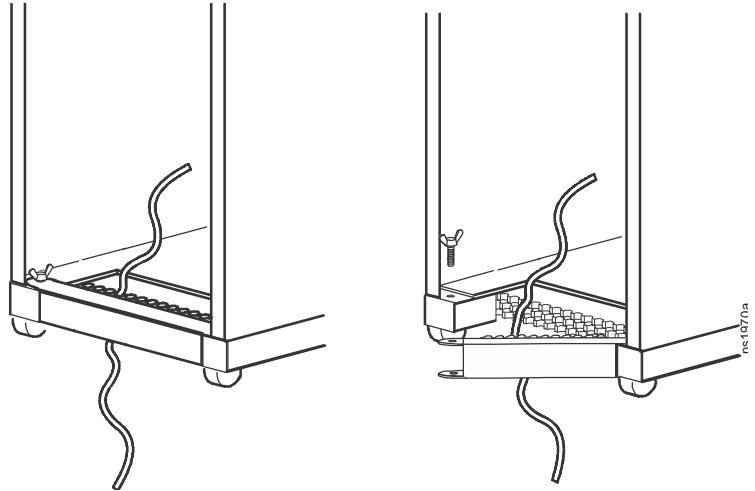
The NetShelter CX SP cabinet has a cable access opening (cable port) at the rear of the cabinet. The 38U cabinet has an additional cable port at the top for cabling from above. Four vertical 0U accessory channels are factory installed in the cabinets.

A variety of other cable management accessories are available. Visit the website at www.apc.com and go to the NetShelter CX SP product page for a full list of compatible cable management accessories.

Rear cable access port

The cable port is large enough to accommodate approximately 300-400 Cat 5e - Cat 6A Ethernet cables and has a removable top cover. The design is such that pre-terminated data distribution panels can be installed effortlessly, with no need for de-termination and re-termination.

Unscrew and remove one of the two thumbscrews to swing open the port door. Unscrew and remove the second thumbscrew to fully remove the cable port door.



Vertical 0U accessory channels

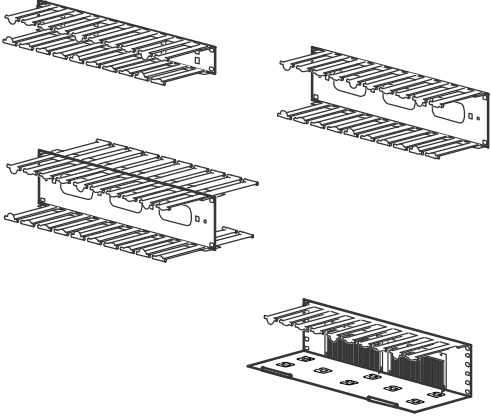

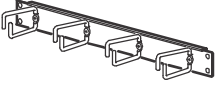
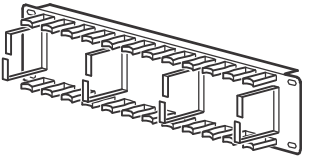
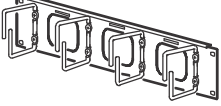
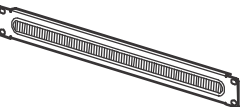
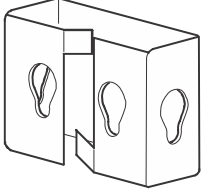
The vertical 0U accessory channels provide toolless mounting capabilities for APC by Schneider Electric Rack Power Distribution Units, APC by Schneider Electric cable containment brackets, and tie-off locations for cables. The standard position for the accessory channels is two located in the front of the cabinet and two in the rear of the cabinet.

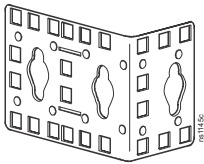
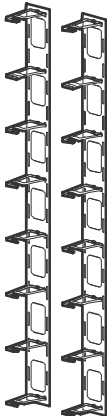
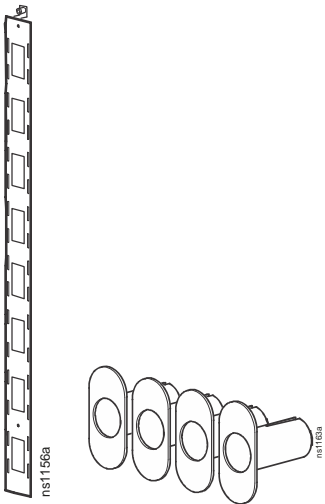
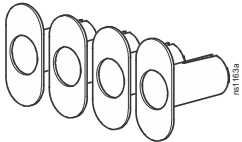
Vertical 0U accessory channels can be removed completely from the cabinet. Loosen the fasteners that attach the vertical 0U accessory to the cabinet.

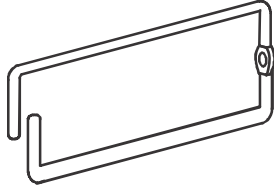
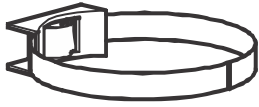
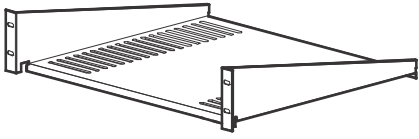
Reverse the procedure to install the accessory channels.



Cable management options for the cabinets

| Product | SKU | Description | Figure |
|---|---|--|---|
| 19 in. horizontal cable organizers | AR8602 (1U) AR8600 (2U) AR8601 (2U double sided) AR8603A (2U high density) | Route patch cables horizontally at the front or rear of a 19 in. EIA cabinet. |  |
| Cable management rings | AR8113A | Fastens cables to posts, mounting rails, or braces. |  |
| 19 in. horizontal cable organizer | AR8425A (1U) AR8426A (2U) | Routes cables horizontally on the front or back of the 19 in. EIA rack. |  |
| 19 in. 2U patch cord organizer | AR8427A | Routes cables horizontally on the front or back of the 19 in. EIA rack. |  |
| 19 in. 2U horizontal cable organizer pass-through | AR8428 | Routes cables horizontally or front-to-rear. |  |
| 19 in. 1U cable pass-through with brush strip | AR8429 | Assists with containing air in the cabinet. |  |
| Cable containment brackets | AR7710 | Contains cables along the vertical 0U accessory channel and is installed without tools. Quantity of six. |  |

| Product | SKU | Description | Figure |
|--|---------|--|---|
| 0U accessory mounting bracket | AR7711 | The bracket can be mounted in various locations throughout the cabinet for supporting small accessories and equipment. |  |
| Vertical Cable Organizer for NetShelter 0U Channel | AR8442 | Eliminates cable stress by organizing cable layout within the rear channels of the cabinet. Takes up 0U of space within the cabinet. Consists of two pieces of equal size that, when connected, span the height of a 42U cabinet. Can be used in any Schneider Electric cabinet. |  |
| Vertical fiber organizer and spools | AR8443A | The vertical fiber organizer and fiber organizer spools provide a method to manage fiber cabling within an cabinet and mount toollessly into the vertical 0U accessory channel of the cabinet. Quantity of two. |  |
| Fiber organizer (spools only) | AR8444 | Can be mounted toollessly to the vertical fiber organizer or attached with screws to the mounting rails of 750 mm wide cabinets. |  |

| Product | SKU | Description | Figure |
|---------------------------------------|-----------|---|---|
| 1U cable ring | AR7707 | Fastens cables to posts, for use with 750 mm cabinet networking applications. |  |
| Toolless Hook-and-Loop Cable Managers | AR8621 | A toolless mount hook-and-loop cable fastener for organizing data cable bundles. Various mounting positions are available on the back panel of a vertical cable organizer. Quantity of ten. |  |
| Fixed-shelf (50 lb) | AR8105BLK | Cantilever fixed shelf to enable the mounting of a monitor or other equipment into the rack environment or to allow cable pass-through from the front to rear of the cabinet. |  |

Air Circulation

Cabinet placement

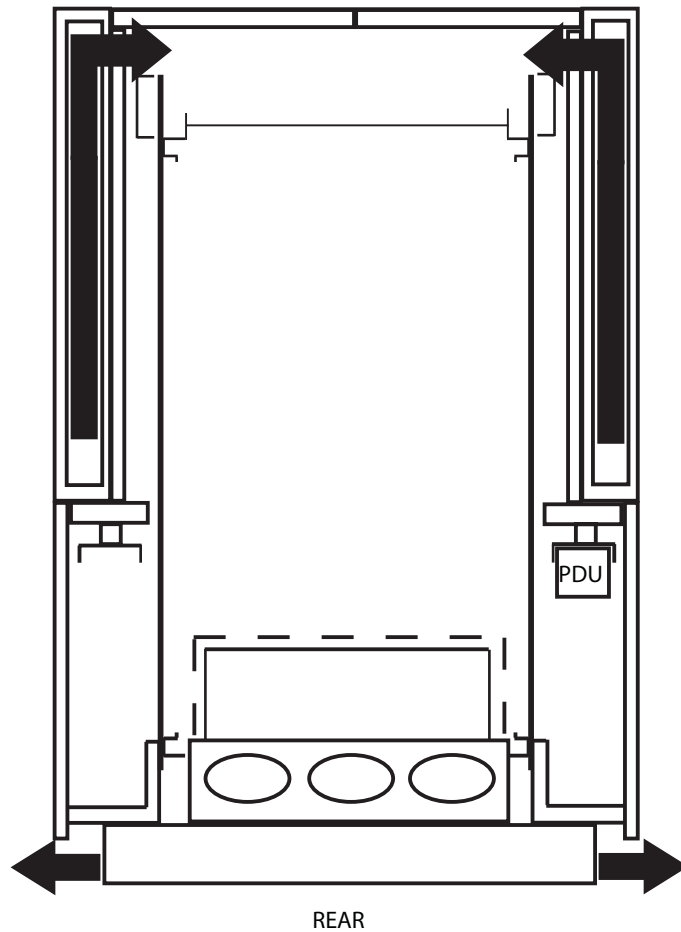
When placing the NetShelter CX SP in an open office environment:

- The rear of the unit can be pushed fully against a wall. Six to eight inches of clearance should be left on either side of the unit.
- Do not place the cabinet unit in direct sunlight or in a small non-air conditioned space.
- Place the cabinet close to ventilation or cool air ingress points in the room.

Air Paths



FRONT



Rack PDU Options for your NetShelter CX SP Cabinet

The following table lists the APC by Schneider Electric Rack Power Distribution Units that can be used inside your NetShelter CX SP cabinet. Choose a Rack PDU compatible with your requirements and compliant with the electrical standards for your location.

| SKU | Input | Output | Type | Mounting |
|---------|-------------|-------------------|----------|------------|
| AP7800B | NEMA 5-15P | (8) 5-15R | Metered | Horizontal |
| AP7801B | NEMA L5-20P | (8) 5-20R | Metered | Horizontal |
| AP7802B | NEMA L5-30P | (16) 5-20R | Metered | Horizontal |
| AP7811B | NEMA L6-20P | (12) C13, (4) C19 | Metered | Horizontal |
| AP7820B | C14 | (8) C13 | Metered | Horizontal |
| AP7821B | C20 | (8) C13 | Metered | Horizontal |
| AP7822B | IEC309-32A | (12) C13, (4) C19 | Metered | Horizontal |
| AP8831 | NEMA 5-15P | (16) 5-15R | Metered | Vertical |
| AP7850B | C14 | (16) C13 | Metered | Vertical |
| AP7900B | NEMA 5-15P | (8) 5-15R | Switched | Horizontal |
| AP7901B | NEMA L5-20P | (8) 5-20R | Switched | Horizontal |
| AP7902B | NEMA L5-30P | (16) 5-20R | Switched | Horizontal |
| AP7911B | NEMA L5-30P | (16) 5-20R | Switched | Horizontal |
| AP7920B | C14 | (8) C13 | Switched | Horizontal |
| AP7921B | C20 | (8) C13 | Switched | Horizontal |
| AP7922B | IEC309-32A | (16) C13 | Switched | Horizontal |

Connect the Rack PDU

⚠ ⚠ DANGER

HAZARD OF ELECTRIC SHOCK, EXPLOSION, OR ARC FLASH

- Follow all local and national codes when installing the Rack PDU.
- Never use extension cords with the Rack PDU.
- Connect the Rack PDU to the UPS, if installed, or to a single-outlet dedicated circuit protected by a circuit breaker or fuse with the same current rating as the Rack PDU.
- Power off the UPS or Mains Supply before connecting the Rack PDU.
- The plug or inlet serves as the disconnect for the Rack PDU. Make sure the utility power outlet for the Rack PDU will be close to the Rack PDU and readily accessible.

Failure to follow these instructions will result in death or serious injury.

Connect the Rack PDU to the UPS when a UPS is installed in the cabinet or connect it to the nearest local Mains supply point.

Specifications

18 U and 24 U Cabinets

| | Measurements | |
|--|-----------------------|-----------------------|
| | 18 U | 24 U |
| Height | 1015 mm (41 in.) | 1275 mm (50.2 in.) |
| Width | 750 mm (29.53 in.) | 750 mm (29.53 in.) |
| Depth | 1130 mm (44.5 in.) | 1130 mm (44.5 in.) |
| Net weight cabinet | 144 kg (317 lb) | 172 kg (379.2 lb) |
| Net weight packaged | 220 kg (485 lb) | 248 kg (546.8 lb) |
| Clearance (for wiring between front door and vertical rail) | 60.96 mm (2.40 in.) | 60.96 mm (2.40 in.) |
| Maximum equipment Weight: Static load (4 casters. Swivel castors to be locked) | 830 kg (1826 lb) | 805 kg (1771 lb) |
| Maximum equipment Weight: Dynamic load (4 casters.) | 318 kg (700 lb) | 363 kg (800 lb) |
| Maximum recommended thermal load | 1.2 kW (4,100 BTU/hr) | 2.4 kW (8,200 BTU/hr) |
| Power consumption | 39 watts | 68 watts |
| Noise reduction † | Up to 18.5 dB | Up to 18.5 dB |

† 18.5 dB equates to perceived drop in noise of 98.5%. The NetShelter CX SP generates 48.5 dB of noise during normal operation. This is below standard office ambient noise levels of approximately 50 dB.

Two-Year Factory Warranty

This warranty applies only to the products you purchase for your use in accordance with this manual.

Terms of warranty

APC by Schneider Electric warrants its products to be free from defects in materials and workmanship for a period of two years from the date of purchase. APC by Schneider Electric will repair or replace defective products covered by this warranty. This warranty does not apply to equipment that has been damaged by accident, negligence or misapplication or has been altered or modified in any way. Repair or replacement of a defective product or part thereof does not extend the original warranty period. Any parts furnished under this warranty may be new or factory-remanufactured.

Non-transferable warranty

This warranty extends only to the original purchaser who must have properly registered the product. The product may be registered at the APC by Schneider Electric website, www.apc.com.

Exclusions

APC by Schneider Electric shall not be liable under the warranty if its testing and examination disclose that the alleged defect in the product does not exist or was caused by end user's or any third person's misuse, negligence, improper installation or testing. Further, APC by Schneider Electric shall not be liable under the warranty for unauthorized attempts to repair or modify wrong or inadequate electrical voltage or connection, inappropriate on-site operation conditions, corrosive atmosphere, repair, installation, exposure to the elements, Acts of God, fire, theft, or installation contrary to APC by Schneider Electric recommendations or specifications or in any event if the APC by Schneider Electric serial number has been altered, defaced, or removed, or any other cause beyond the range of the intended use.

THERE ARE NO WARRANTIES, EXPRESS OR IMPLIED, BY OPERATION OF LAW OR OTHERWISE, OF PRODUCTS SOLD, SERVICED OR FURNISHED UNDER THIS AGREEMENT OR IN CONNECTION HERewith. APC BY SCHNEIDER ELECTRIC DISCLAIMS ALL IMPLIED WARRANTIES OF MERCHANTABILITY, SATISFACTION AND FITNESS FOR A PARTICULAR PURPOSE. APC BY SCHNEIDER ELECTRIC EXPRESS WARRANTIES WILL NOT BE ENLARGED, DIMINISHED, OR AFFECTED BY AND NO OBLIGATION OR LIABILITY WILL ARISE OUT OF, APC BY SCHNEIDER ELECTRIC RENDERING OF TECHNICAL OR OTHER ADVICE OR SERVICE IN CONNECTION WITH THE PRODUCTS. THE FOREGOING WARRANTIES AND REMEDIES ARE EXCLUSIVE AND IN LIEU OF ALL OTHER WARRANTIES AND REMEDIES. THE WARRANTIES SET FORTH ABOVE CONSTITUTE APC BY SCHNEIDER ELECTRIC'S SOLE LIABILITY AND PURCHASER'S EXCLUSIVE REMEDY FOR ANY BREACH OF SUCH WARRANTIES. APC BY SCHNEIDER ELECTRIC WARRANTIES EXTEND ONLY TO PURCHASER AND ARE NOT EXTENDED TO ANY THIRD PARTIES.

IN NO EVENT SHALL APC BY SCHNEIDER ELECTRIC, ITS OFFICERS, DIRECTORS, AFFILIATES OR EMPLOYEES BE LIABLE FOR ANY FORM OF INDIRECT, SPECIAL, CONSEQUENTIAL OR PUNITIVE DAMAGES, ARISING OUT OF THE USE, SERVICE OR INSTALLATION, OF THE PRODUCTS, WHETHER SUCH DAMAGES ARISE IN CONTRACT OR TORT, IRRESPECTIVE OF FAULT, NEGLIGENCE OR STRICT LIABILITY OR WHETHER APC BY SCHNEIDER ELECTRIC HAS BEEN ADVISED IN ADVANCE OF THE POSSIBILITY OF SUCH DAMAGES. SPECIFICALLY, APC BY SCHNEIDER ELECTRIC IS NOT LIABLE FOR ANY COSTS, SUCH AS LOST PROFITS OR REVENUE, LOSS OF EQUIPMENT, LOSS OF USE OF EQUIPMENT, LOSS OF SOFTWARE, LOSS OF DATA, COSTS OF SUBSTITUENTS, CLAIMS BY THIRD PARTIES, OR OTHERWISE.

NO SALESMAN, EMPLOYEE OR AGENT OF APC BY SCHNEIDER ELECTRIC IS AUTHORIZED TO ADD TO OR VARY THE TERMS OF THIS WARRANTY. WARRANTY TERMS MAY BE MODIFIED, IF AT ALL, ONLY IN WRITING SIGNED BY AN APC BY SCHNEIDER ELECTRIC OFFICER AND LEGAL DEPARTMENT.

Warranty claims

Customers with warranty claims issues may access the APC by Schneider Electric customer support network through the Support page of the APC by Schneider Electric website, www.apc.com/support. Select your country from the country selection pull-down menu at the top of the web page. Select the Support tab to obtain contact information for customer support in your region.

Worldwide Customer Support

Customer support is available at www.apc.com.

© 2018 APC by Schneider Electric. APC, the APC logo, and NetShelter trademarks are owned by Schneider Electric, S.A.S. All other trademarks are property of their respective owners.