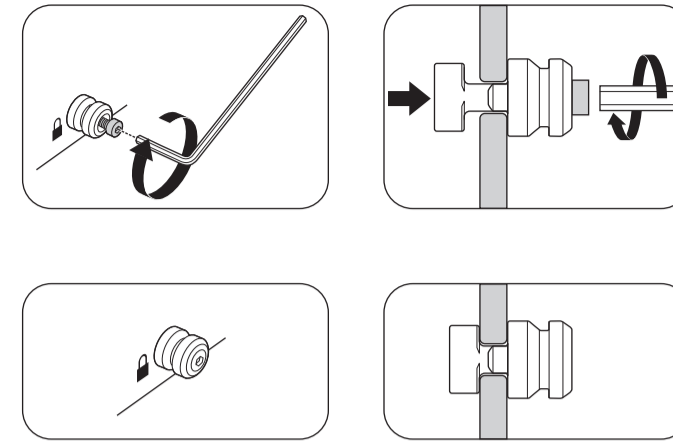
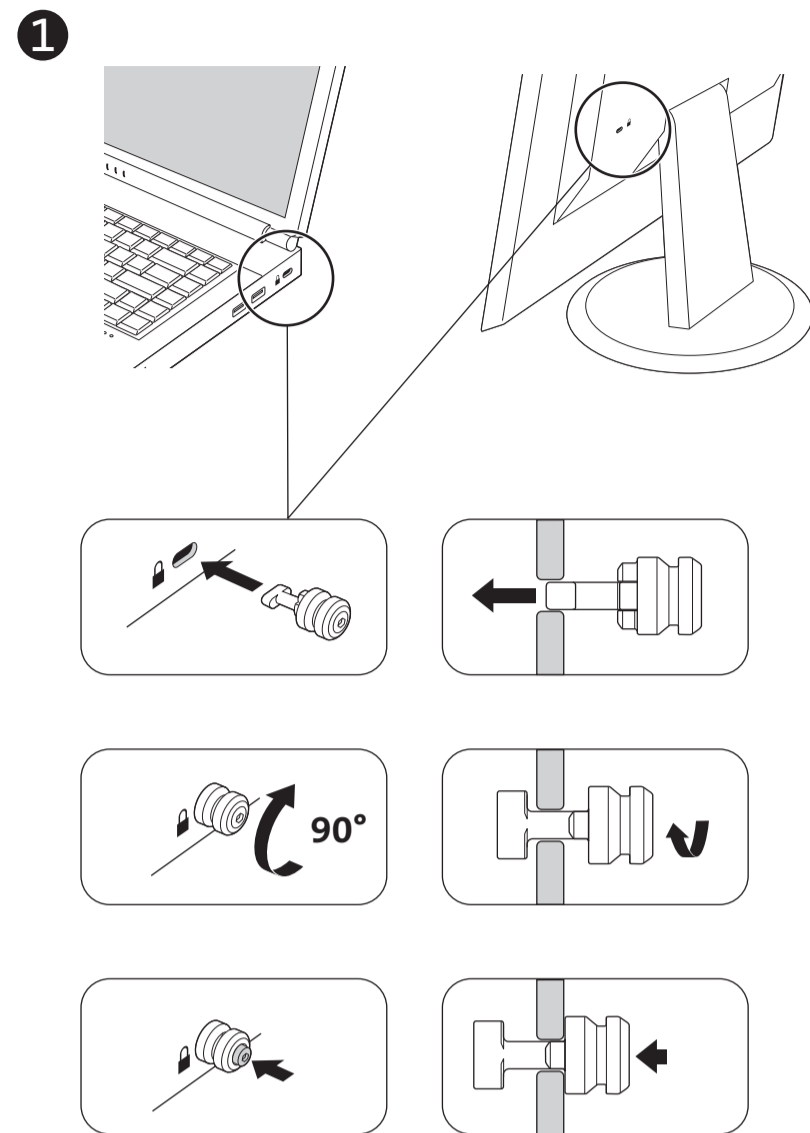


**!**  
 IMPORTANT! REGISTER YOUR KEY CODE! /  
 IMPORTANT! ENREGISTREZ VOTRE CODE CLÉ! /  
 WICHTIG! REGISTRIEREN SIE IHREN KEYCODE! /  
 BELANGRIJK! REGISTRER UW SLEUTELCODE! /  
 IMPORTANTE! EFFETTUARE LA REGISTRAZIONE DEL  
 CODICE DELLA CHIAVE /  
 IMPORTANTE: REGISTRE EL CÓDIGO DE LA LLAVE /  
 FONTOS! REGISZTRÁLJA A KULCSKÓDJÁT! /  
 DŮLEŽITÉ! REGISTRUJTE KÓD SVÉHO KLÍČE! /  
 WAŻNE! ZAREJSTRUJ KOD KLUCZYKA! /  
 ВАЖНО! ЗАРЕГИСТРИРУЙТЕ СВОЙ КОД КЛЮЧА! /  
 IMPORTANTE! FAÇA O REGISTO DO SEU CÓDIGO CHAVE!

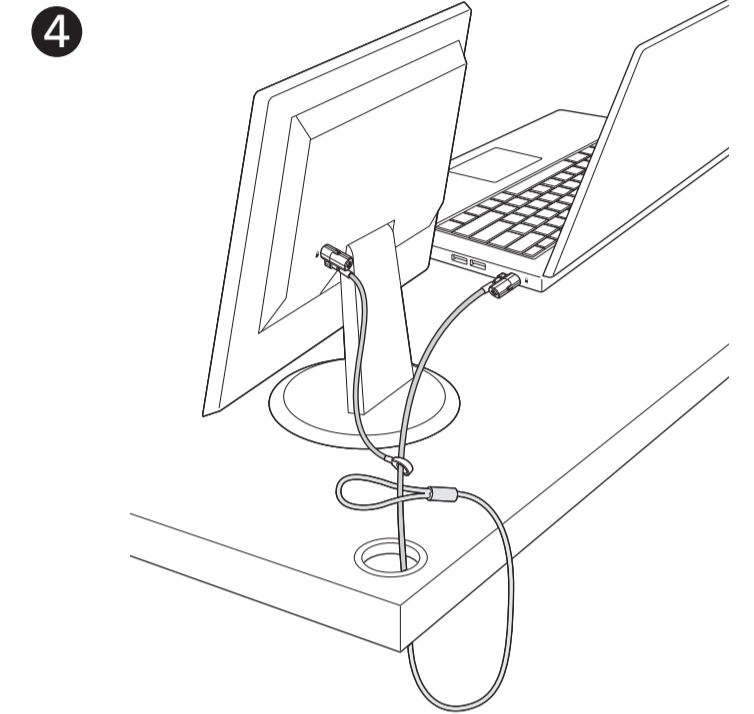
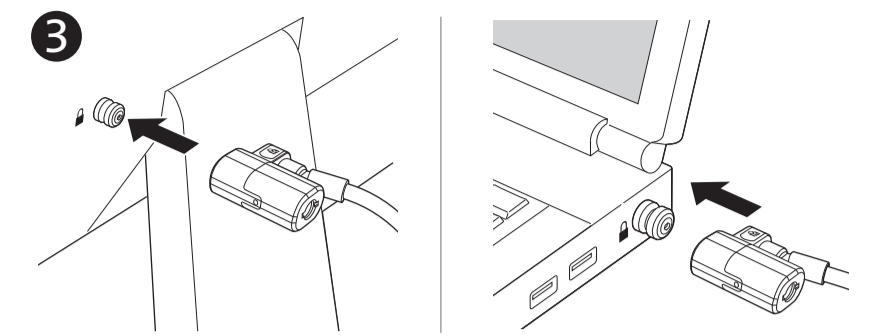
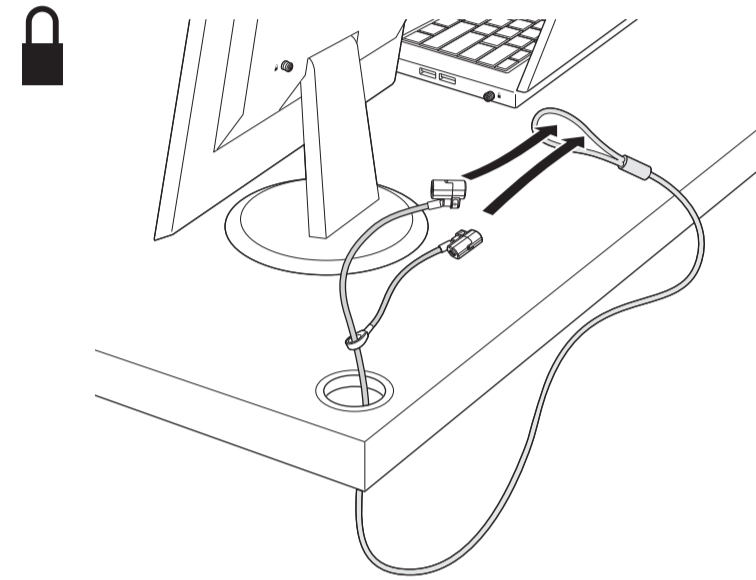


[register.kensington.com](http://register.kensington.com)

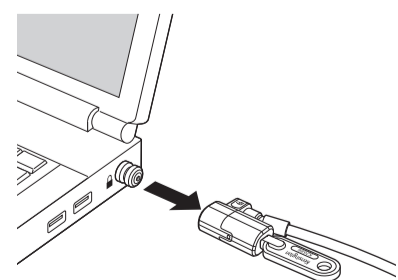
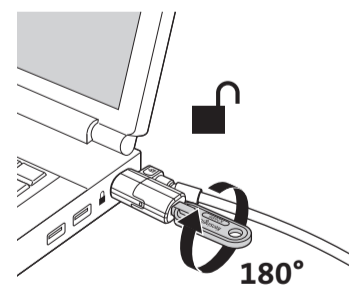
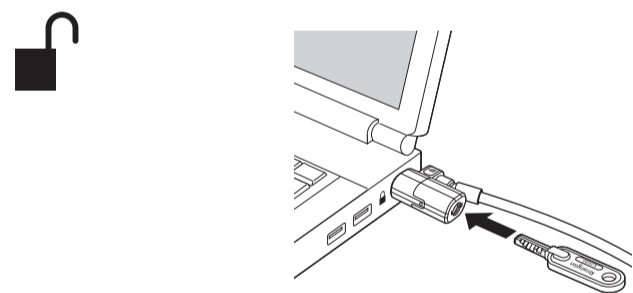
#



**2** Locking / Verrouillage / Abschließen / Vergrendelen / Blocco / Bloqueo /  
 Zárás / Uzamknutí / Blokowanie / Блокировка / Bloqueio



Unlocking / Déverrouillage / Entsperren / Ontgrendelen / Sblocco / Desbloqueo /  
 Nyitás / Odemknutí / Odblokowywanie / Снятие блокировки / Desbloqueo

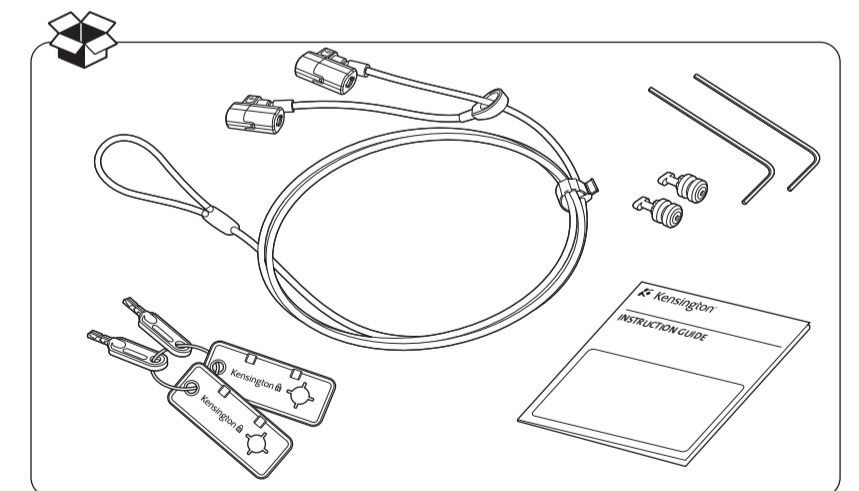


**Kensington®**

Laptop Lock Twin

INSTRUCTION GUIDE  
 GUIDE D'INSTRUCTIONS  
 BEDIENUNGSANLEITUNG  
 HANDLEIDING  
 MANUALE DI ISTRUZIONI  
 MANUAL DE INSTRUCCIONES

HASZNÁLATI ÚTMUTATÓ  
 PŘÍRUČKA S POKYNY  
 INSTRUKCJA OBSŁUGI  
 РУКОВОДСТВО ПОЛЬЗОВАТЕЛЯ  
 MANUAL DE INSTRUÇÕES



Register Now!  
 Enregistrer maintenant!  
 Jetzt registrieren!  
 Nu registreren  
 Registrar ahora  
 Registra adesso

Regisztráljon most!  
 Zaregistrujte se nyní!  
 Zarejestruj się!  
 Зарегистрироваться!  
 Registe-se agora!

[register.kensington.com](http://register.kensington.com)

Kensington and the ACCO name and design are registered trademarks of ACCO Brands. The Kensington Promise is a service mark of ACCO Brands. All other registered and unregistered trademarks are the property of their respective owners. Covered by one or more of US Pat. No's 6,081,974; 6,317,936; 6,360,405.  
 ©2010 Kensington Computer Products Group, a division of ACCO Brands. Any unauthorized copying, duplicating, or other reproduction of the contents hereof is prohibited without written consent from Kensington Computer Products Group. All rights reserved. 4/10

**WARRANTY** Four year support technique  
**GARANTIE** veuillez visiter  
**WARRANTY** www.kensington.com  
 The Kensington Promise™

Kensington Computer Products GroupA  
 Division of ACCO Brands  
 333 Twin Dolphin Drive, 6th Floor  
 Redwood Shores, CA 94065

ACCO Brands Europe  
 Oxford House  
 Oxford Road  
 Aylesbury  
 Bucks, HP21 8SZ  
 United Kingdom

ACCO Brands Canada  
 5 Precidio Court  
 Brampton  
 Ontario, L6S 6B7  
 Canada

ACCO Australia  
 Level 2, 8 Lord St  
 Botany NSW 2019  
 PO Box 311  
 Rosebery NSW 1445  
 Australia

www.kensington.com  
 901-2453-00  
 KL

