

# Installation Guide Smart-UPS<sup>™</sup> On-Line SRT001/SRT004/SRT005/SRT008

## Important Safety Information

Read the instructions carefully to become familiar with the equipment before trying to install, operate, service or maintain it. The following special messages may appear throughout this manual or on the equipment to warn of potential hazards or to call attention to information that clarifies or simplifies a procedure.



The addition of this symbol to a Danger or Warning safety label indicates that an electrical hazard exists which will result in personal injury if the instructions are not followed.



This is the safety alert symbol. It is used to alert you to potential personal injury hazards. Obey all safety messages that follow this symbol to avoid possible injury or death.

### CAUTION

**CAUTION** indicates a potentially hazardous situation which, if not avoided, **can result in** minor or moderate injury.

### CAUTION

**CAUTION** addresses practices not related to physical injury including certain environmental hazards, potential damage or loss of data.



## Safety and General Information

**Inspect the package contents upon receipt. Notify the carrier and dealer if there is any damage.**

Adhere to all local and national electrical codes.



Recycle the packaging.

### Deenergizing safety

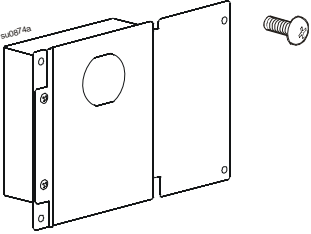
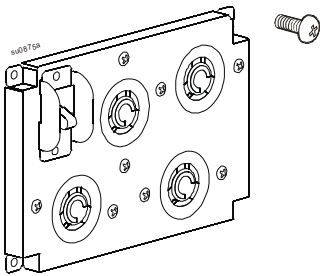
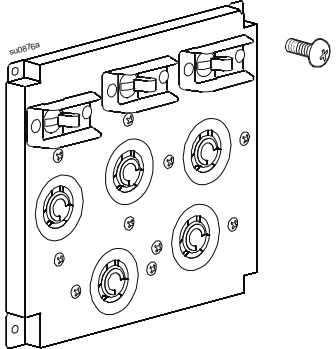
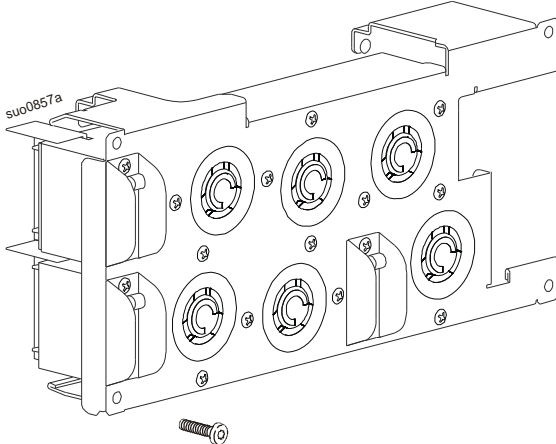
The UPS contains internal batteries and may present a shock hazard even when disconnected from the branch circuit (mains). Before installing or servicing the equipment, check that the internal batteries are removed, that external extended run batteries are disconnected and the branch circuit (mains) is disconnected.

## Hardwire safety

- Verify that all branch circuit (mains) and low voltage (control) circuits are deenergized, and locked out before installing cables or making connections, whether in the junction box or to the UPS.
- Wiring by a qualified electrician is required.
- Adhere to all national and local codes.
- Select wire size and connectors according to national and local codes.
- Strain relief is required for all hardwiring.
- All openings allowing access to UPS hardwiring terminals must be covered. Failure to do so may result in personal injury or equipment damage.

## Package Contents

The UPS and PDU models may vary in appearance from those depicted in the diagrams. The PDU installation procedure is similar for SRT001/SRT004/SRT005 models.

SRT001	SRT004	SRT005
<p>1 Output Hardwire Kit • 4 screws</p> 	<p>• 1 PDU • 4 screws</p> 	<p>• 1 PDU • 4 screws</p> 
<p><b>SRT008</b></p> <p>• 1 PDU • 2 screws</p> 		

# Remove Standard PDU

UPS models SRT5K/SRT6K

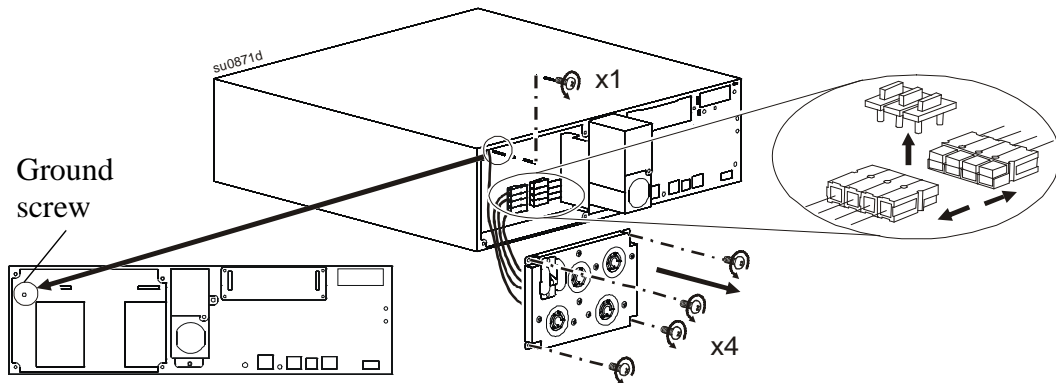
<b>⚠ CAUTION</b>
<b>DAMAGE TO EQUIPMENT OR PERSONNEL</b>
<ul style="list-style-type: none"><li>• Adhere to all local and national electrical codes.</li><li>• Wiring must be performed by a qualified electrician.</li></ul>
<b>Failure to follow these instructions can result in equipment damage and minor or moderate injury.</b>

Disconnect equipment connected to the UPS.

1. Press the POWER ON/OFF button located on the front of the UPS. Select **Turn Off Immediately** to turn the UPS output off.
2. Disconnect all the battery modules.
3. Disconnect all the external battery packs (XLBPs), if installed.
4. Disconnect the UPS from the utility power. Disconnect methods will vary depending on the model.
  - Unplug the UPS from the wall receptacle.
  - Switch the utility circuit breaker off.

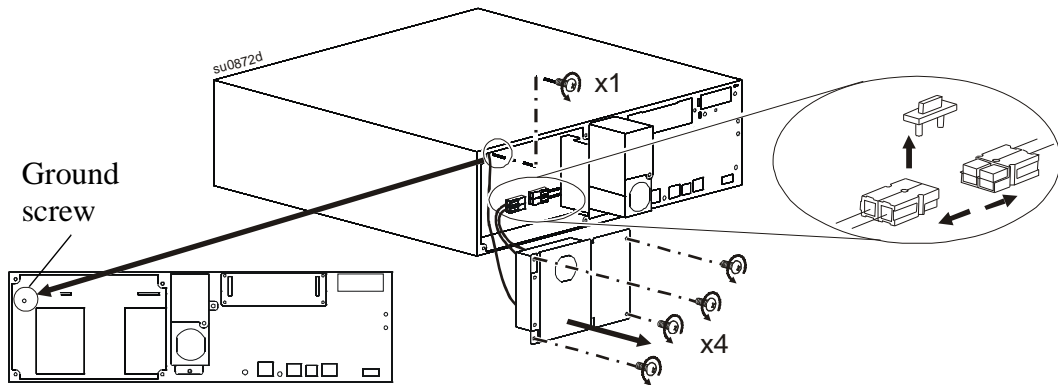
## PDU with 4 pin connector in SRT5K/SRT6K models

Remove the ground screw and the standard PDU. Remove the connector clip and disconnect the 4 pin connector.



## PDU with 2 pin connector in SRT5KRMXLW-HW model

Remove the ground screw and the standard PDU. Remove the connector clip and disconnect the 2 pin connector.



## Install PDU

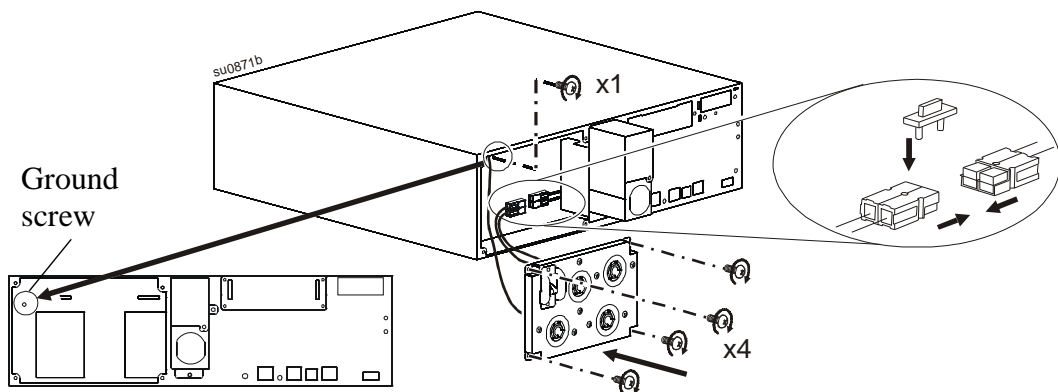
PDU models SRT004/SRT005

SRT004

PDU	UPS Models
SRT004	SRT5KXLT SRT5KRMXLT SRT5KXLT-IEC SRT5KRMXLT-IEC SRT5KRMXLW-HW

**Note:** Secure the 2 pin connector from the PDU to the appropriate connector on the UPS. Ignore any additional connectors on the UPS. Connect the ground cable to the ground screw.

Connect the 2 pin connector and install the connector clip. Install the SRT004 PDU and secure the ground screw.

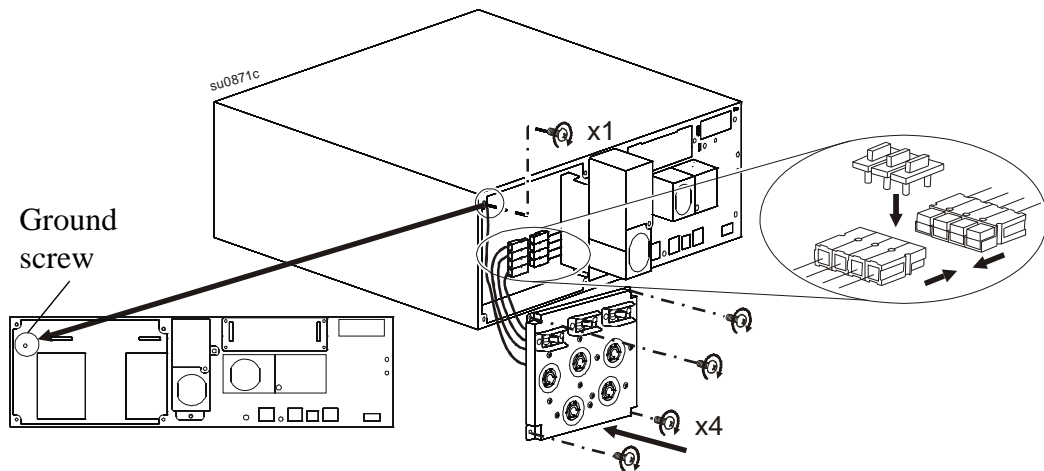


## SRT005

PDU	UPS Models
SRT005	SRT6KXLT SRT6KRMXLT SRT6KXLT-IEC SRT6KRMXLT-IEC

**Note:** Secure the 4 pin connector on the PDU to the appropriate connector on the UPS. Ignore any additional connectors on the UPS. Connect the ground cable to the ground screw.

Connect the 4 pin connector and install the connector clip. Install the SRT005 PDU and secure the ground screw.



# Install Output Hardwire Kit

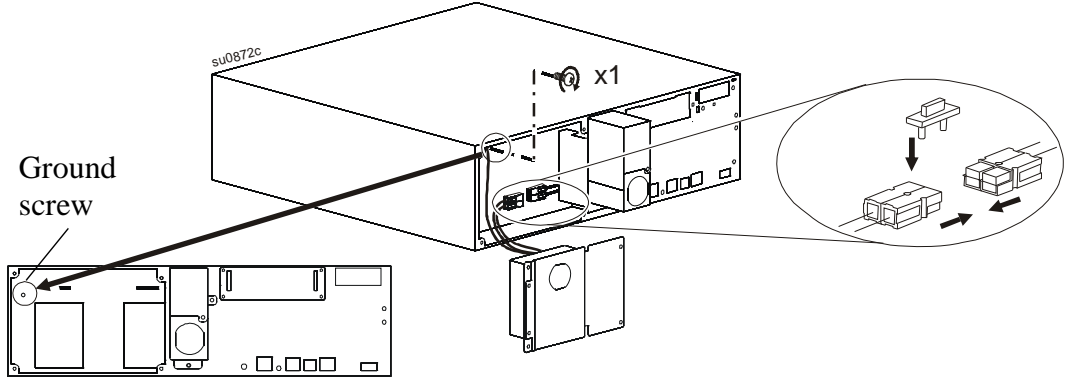
## Model SRT001

PDU	UPS Models
SRT001	SRT5KXLI SRT5KRMXLI SRT5KXLT SRT5KRMXLT SRT5KXLT-IEC SRT5KRMXLT-IEC

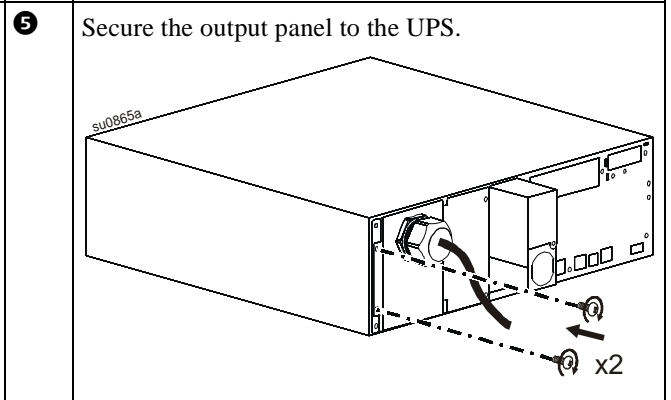
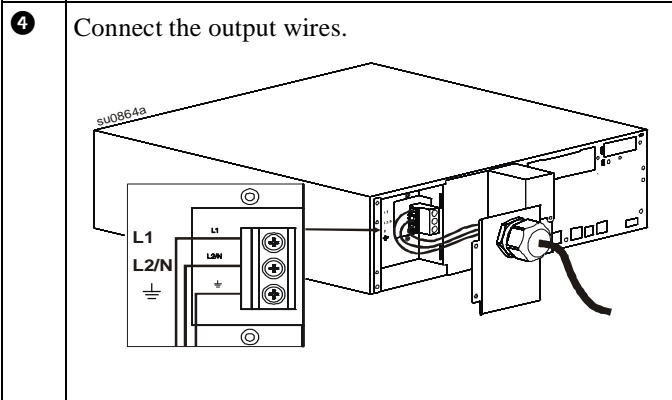
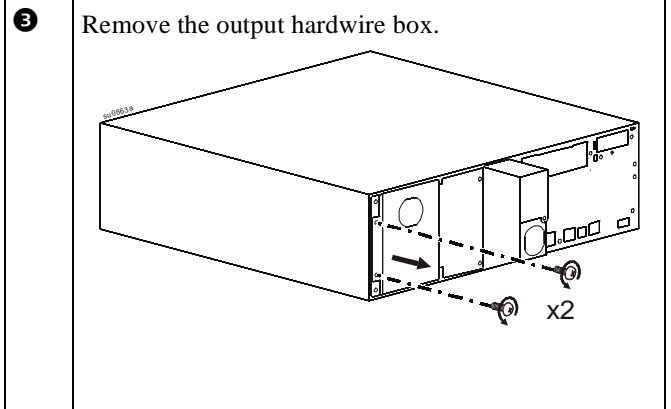
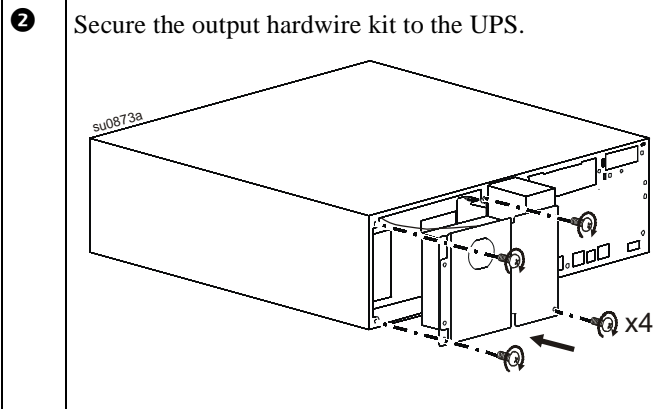
**Note:** Secure the 2 pin connector on the PDU to the appropriate connector on the UPS. Ignore any additional connectors on the UPS. Connect the ground cable to the ground screw.

<b>⚠ CAUTION</b>	
<b>DAMAGE TO EQUIPMENT OR PERSONNEL</b>	
<ul style="list-style-type: none"><li>• Verify that all branch circuit (mains) and low voltage (control) circuits are deenergized, and locked out before installing cables or making connections, whether in the junction box or to the UPS.</li><li>• Wiring by a qualified electrician is required.</li><li>• Check national and local codes before wiring.</li><li>• Strain reliefs are not supplied with the unit. Snap-In type strain reliefs are recommended.</li><li>• All openings that allow access to UPS hardwire terminals must be covered.</li><li>• Select wire size and connectors according to national and local codes.</li><li>• Recommended output terminal screw torque: 1.58 - 1.81 Nm (14-16 lbf-in).</li></ul>	
<b>Failure to follow these instructions can result in equipment damage and minor or moderate injury.</b>	

**1** Connect the 2 pin connector and install the connector clip. Secure the ground screw.



The diagram illustrates the installation of the 2-pin connector and ground screw. The main view shows the UPS with a callout to the terminal block. A separate view shows the 2-pin connector being inserted into the terminal block. A ground screw is also shown being secured on the UPS chassis.

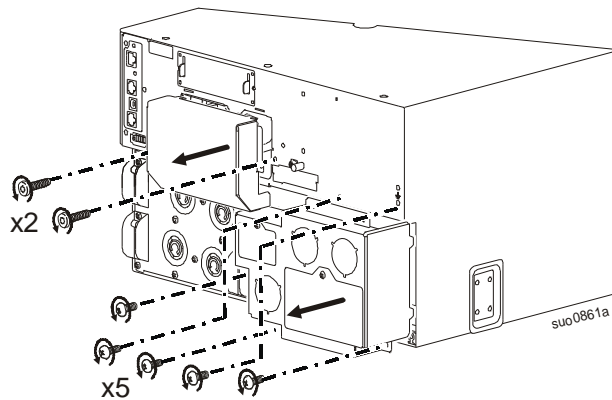


# Replace Standard PDU

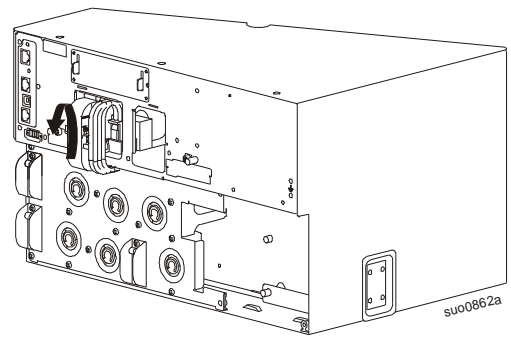
UPS models SRT8K/SRT10K

PDU	UPS Models
SRT008	SRT8KXLT SRT8KRMXLT SRT8KXLT-IEC SRT8KRMXLT-IEC SRT10KXLT SRT10KRMXLT SRT10KXLT-IEC SRT10KRMXLT-IEC

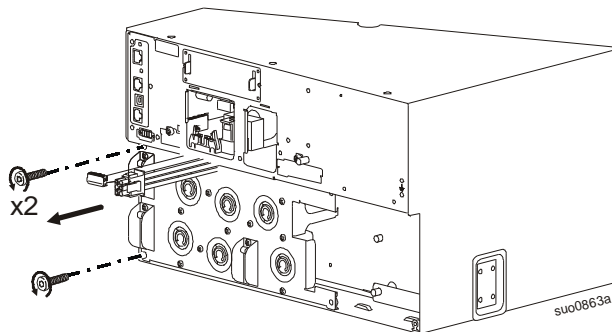
**1** Remove the rear access cover. Remove AC wiring box.



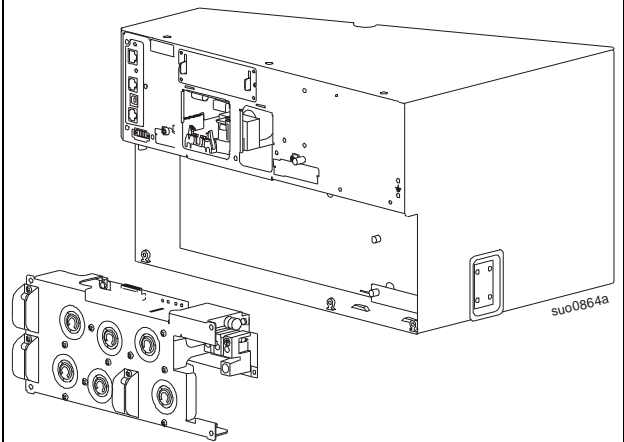
**2** Disconnect the ribbon cable. Disconnect the output power cable.



**3** Remove the screws that secure the PDU to the UPS.

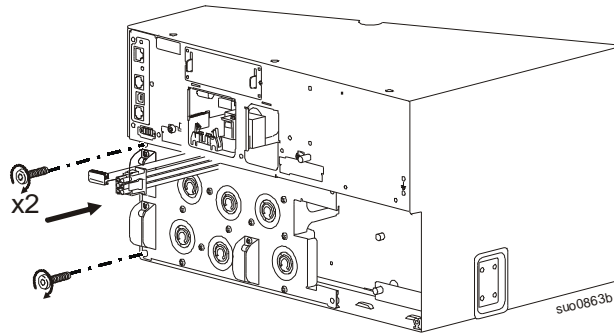


**4** Remove the PDU from the UPS.

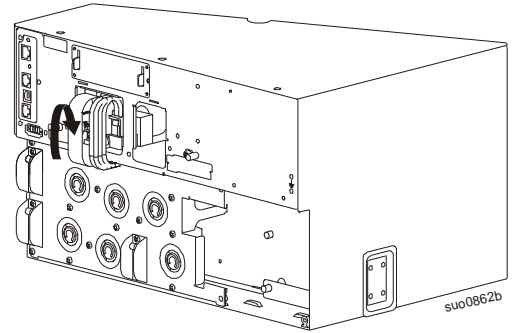




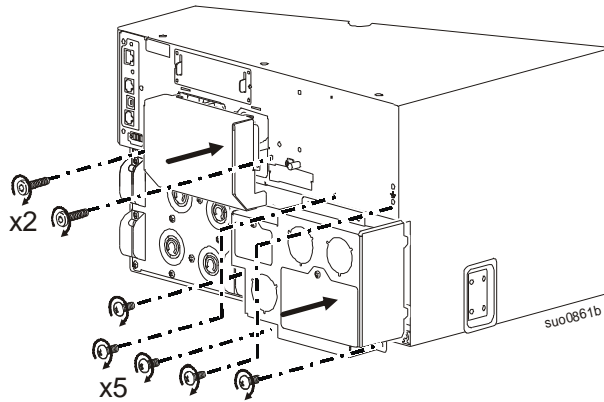
5 Install SRT008 PDU.



6 Connect the output power cable. Connect the ribbon cable.



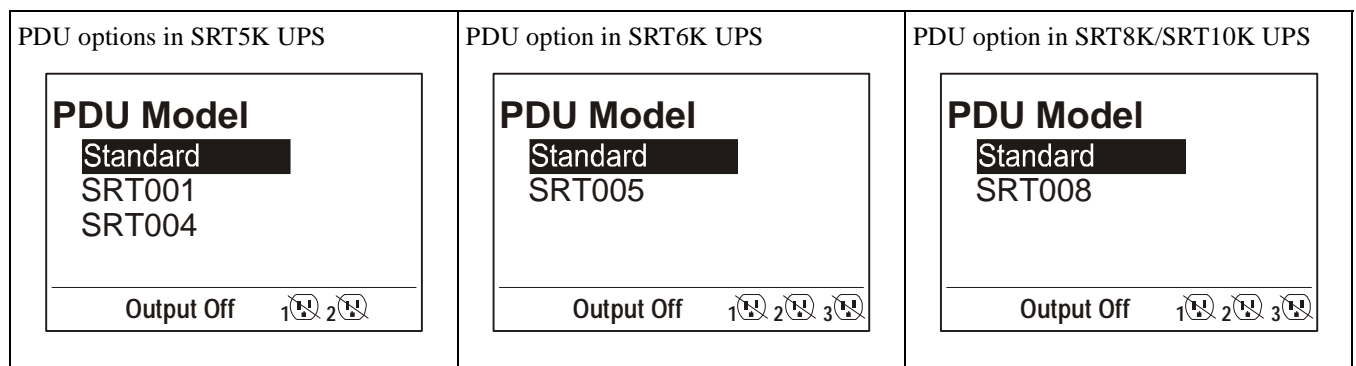
7 Install the rear access cover. Install the AC wiring box.



# Configure UPS for PDU Panel

Reconfigure the UPS, using the display interface, to work with the new PDU.

1. Reconnect internal RBC.
2. Reconnect the XLBP if installed.
3. Reconnect the UPS to utility power. Do not turn on the UPS output.
4. Configure the PDU once the display interface message is visible.
5. Navigate to the User Mode. Change the UPS User Mode to Advance User Mode.  
Main Menu > Configuration > Display > User Mode
6. Navigate to the PDU Model to configure the PDU.  
Main Menu > Configuration > UPS > PDU Model
7. Select the appropriate PDU from the given options and press OK button.  
**Note:** The Standard PDU option is the factory default.



8. Wait for 10 seconds for the display interface to reboot.
9. Verify that PDU model is updated.  
Display Navigation: Main Menu > Configuration > UPS > PDU Model
10. Turn on the UPS output.

Customer support and warranty information is available at the APC Web site, [www.apc.com](http://www.apc.com).