

Galaxy PW 2nd Gen

10-120 kVA 3:1 and 10-200 kVA 3:3

Operation

Latest updates are available on the Schneider Electric website

06/2022



Legal Information

The Schneider Electric brand and any trademarks of Schneider Electric SE and its subsidiaries referred to in this guide are the property of Schneider Electric SE or its subsidiaries. All other brands may be trademarks of their respective owners.

This guide and its content are protected under applicable copyright laws and furnished for informational use only. No part of this guide may be reproduced or transmitted in any form or by any means (electronic, mechanical, photocopying, recording, or otherwise), for any purpose, without the prior written permission of Schneider Electric.

Schneider Electric does not grant any right or license for commercial use of the guide or its content, except for a non-exclusive and personal license to consult it on an "as is" basis. Schneider Electric products and equipment should be installed, operated, serviced, and maintained only by qualified personnel.

As standards, specifications, and designs change from time to time, information contained in this guide may be subject to change without notice.

To the extent permitted by applicable law, no responsibility or liability is assumed by Schneider Electric and its subsidiaries for any errors or omissions in the informational content of this material or consequences arising out of or resulting from the use of the information contained herein.



Go to <https://www.productinfo.schneider-electric.com/galaxypw> for translations.
Rendez-vous sur <https://www.productinfo.schneider-electric.com/galaxypw> pour accéder aux traductions.
前往 <https://www.productinfo.schneider-electric.com/galaxypw> 查看译文。

Table of Contents

Important Safety Instructions — SAVE THESE INSTRUCTIONS	5
Safety Precautions	6
Overview	7
User Interface	7
EPO.....	7
Status LEDs	7
Display Menu Tree	8
Overview of Configurations.....	9
Buzzer	14
Operation Modes	15
Operation Procedures	19
View System Status Information	19
Transfer a Single UPS from Normal to Mode to Maintenance Bypass Mode	19
Transfer a Single UPS from Maintenance Bypass Mode to Normal Mode	20
Perform a Battery Test	21
Configuration	22
Set the Display Language	22
Set the Date and Time	22
Configure the Display Settings.....	23
Change the Display Password.....	23
Configure the Network Settings	24
Calibrate the Display.....	24
Configure the Parameter Settings	24
Configure the Battery Settings	25
Configure the Electrical Settings	26
Configure the Parallel Settings.....	28
Configure the Battery Test Settings	29
Configure the Input Dry Contacts	31
Configure the Output Dry Contacts.....	32
Configure Life Cycle Monitoring	32
Configure the Buzzer	33
Maintenance	34
Parts Replacement	34
Determine if you need a Replacement Part	34
Troubleshooting	35
View the Active Alarms.....	35
Export Data to a USB Drive	35
Clear Inoperable State	36
Status Indicators of the SPDs	37

Important Safety Instructions — SAVE THESE INSTRUCTIONS

Read these instructions carefully and look at the equipment to become familiar with it before trying to install, operate, service or maintain it. The following safety messages may appear throughout this manual or on the equipment to warn of potential hazards or to call attention to information that clarifies or simplifies a procedure.



The addition of this symbol to a “Danger” or “Warning” safety message indicates that an electrical hazard exists which will result in personal injury if the instructions are not followed.



This is the safety alert symbol. It is used to alert you to potential personal injury hazards. Obey all safety messages with this symbol to avoid possible injury or death.

DANGER

DANGER indicates a hazardous situation which, if not avoided, **will result in death or serious injury.**

Failure to follow these instructions will result in death or serious injury.

WARNING

WARNING indicates a hazardous situation which, if not avoided, **could result in death or serious injury.**

Failure to follow these instructions can result in death, serious injury, or equipment damage.

CAUTION

CAUTION indicates a hazardous situation which, if not avoided, **could result in minor or moderate injury.**

Failure to follow these instructions can result in injury or equipment damage.

NOTICE

NOTICE is used to address practices not related to physical injury. The safety alert symbol shall not be used with this type of safety message.

Failure to follow these instructions can result in equipment damage.

Please Note

Electrical equipment should only be installed, operated, serviced, and maintained by qualified personnel. No responsibility is assumed by Schneider Electric for any consequences arising out of the use of this material.

A qualified person is one who has skills and knowledge related to the construction, installation, and operation of electrical equipment and has received safety training to recognize and avoid the hazards involved.

Safety Precautions

DANGER

HAZARD OF ELECTRICAL SHOCK, EXPLOSION OR ARC FLASH

All safety instructions in this document must be read, understood and followed.

Failure to follow these instructions will result in death or serious injury.

DANGER

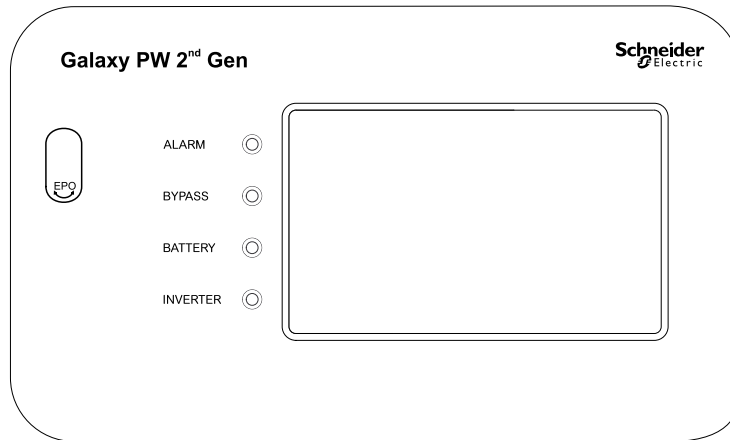
HAZARD OF ELECTRICAL SHOCK, EXPLOSION OR ARC FLASH

After the UPS system has been electrically wired, do not start up the system.
Start-up must only be performed by Schneider Electric.

Failure to follow these instructions will result in death or serious injury.

Overview

User Interface



EPO

Only use the EPO button in case of emergency.

When the EPO is activated, the UPS will:

- turn off the rectifier, inverter, charger, and static bypass and stop supplying the load immediately (default).

NOTE: When the EPO is activated, the load will drop for both single and parallel systems.

⚠️⚠️ DANGER

HAZARD OF ELECTRIC SHOCK, EXPLOSION, OR ARC FLASH

The UPS control circuit will remain active after the EPO has been pushed if mains is available.

Failure to follow these instructions will result in death or serious injury.

Status LEDs

LED	State	Description
ALARM	Steady red	Critical alarm
	Flashing red	Warning alarm
	Off	No alarm condition
BYPASS	Steady yellow	The load is supplied by the bypass source
	Flashing yellow	There is an alarm condition on the bypass source
	Off	The load is not supplied by the bypass source
BATTERY	Steady yellow	The load is supplied by the battery source
	Flashing yellow	The battery source is unavailable
	Off	The load is not supplied by the battery source
INVERTER	Steady green	Inverter on

LED	State	Description
	Off	Inverter off

Display Menu Tree

- **Status**
 - Input status
 - Output status
 - Bypass status
 - Battery status
 - Temperature information
 - Parameter information
- **Alarm(s)**
 - Warning information
 - Critical event information
- **Setting**
 - **General settings**
 - Language settings
 - Date and time
 - Display settings
 - Password settings
 - Network settings
 - Display calibration
 - **UPS settings**
 - Parameter settings
 - Battery settings
 - **Advanced settings**
 - Electrical settings
 - Parallel settings
 - Battery test settings
 - Dry contact settings
 - ◇ Input dry contact
 - ◇ Output dry contact
- **Service**
 - LCM settings
 - Export data to USB
 - Export event logs
 - Export settings log
 - Event log
 - Settings log

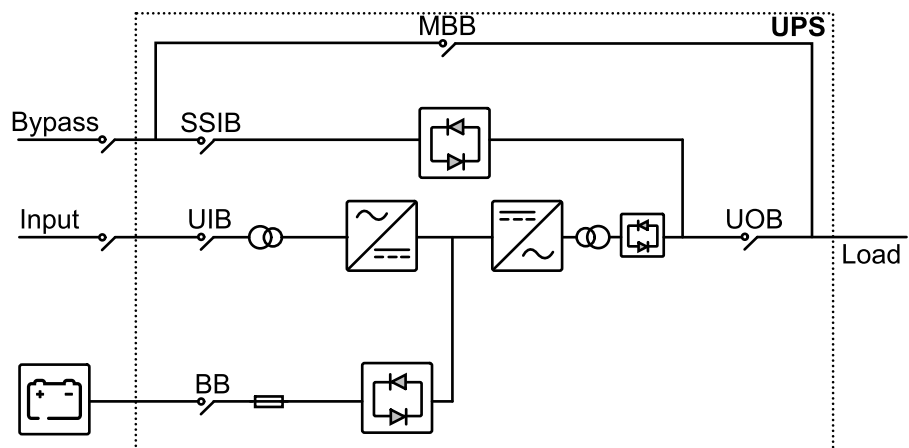
- **Control**
 - **Turn UPS ON/OFF**
 - **Battery test**
 - **Abort**
 - **10 seconds**
 - **10 minutes**
 - **End of discharge**
 - **UPS mute control**
 - **Clear inoperable state**
- **About**

Overview of Configurations

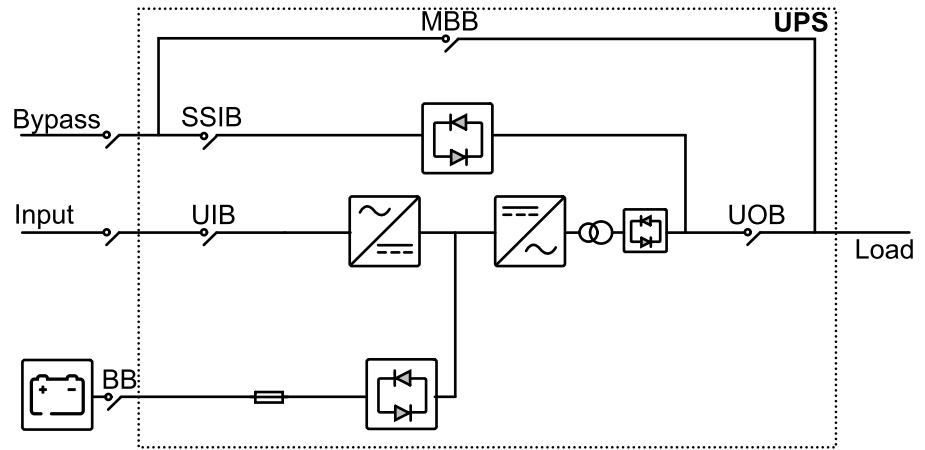
UIB	Unit input breaker
SSIB	Static switch input breaker
BB	Battery breaker
MBB	Maintenance bypass breaker
UOB	Unit output breaker

Overview of Single UPS

3:1 220 VDC UPS

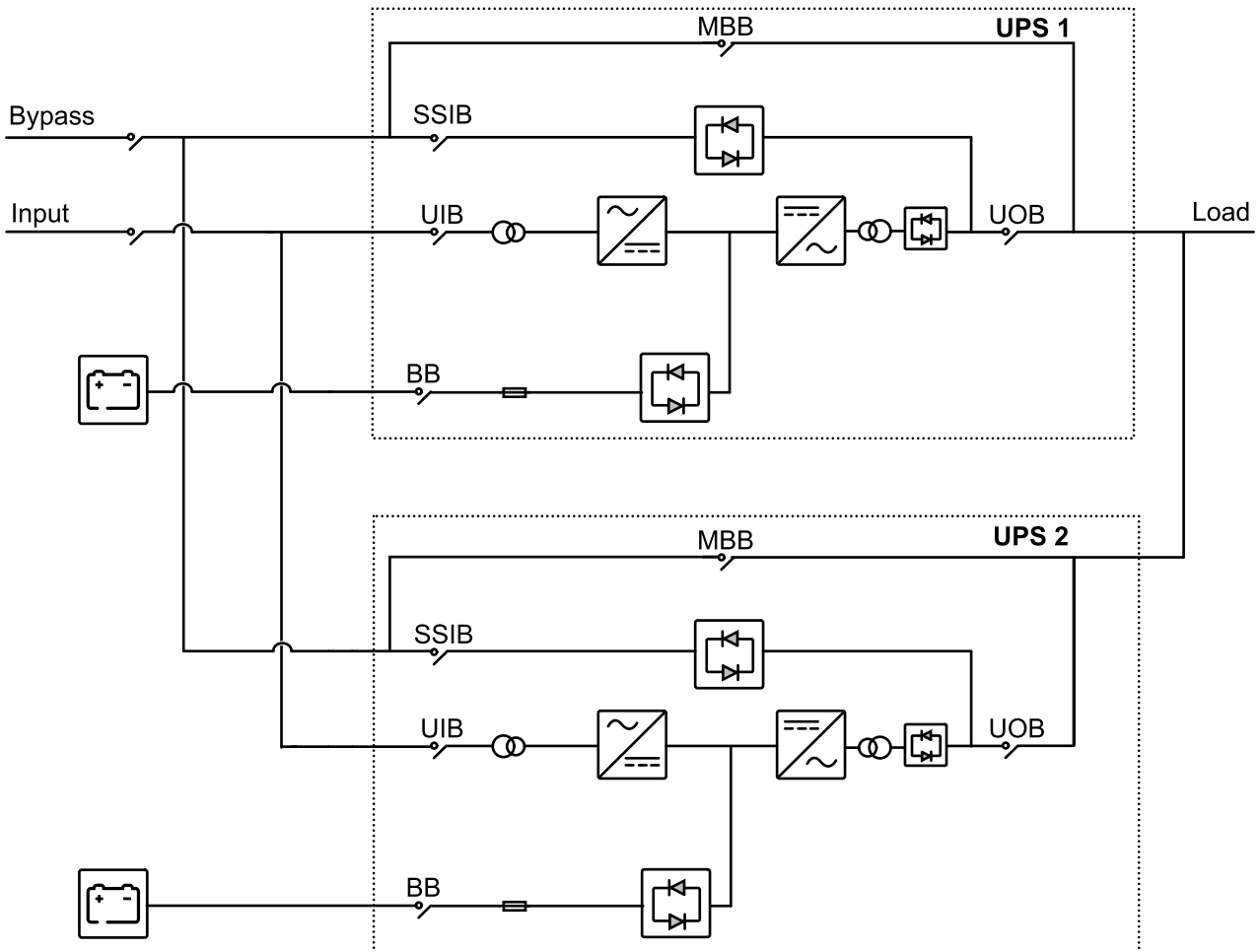


3:1 384 VDC UPS
3:3 384 VDC UPS

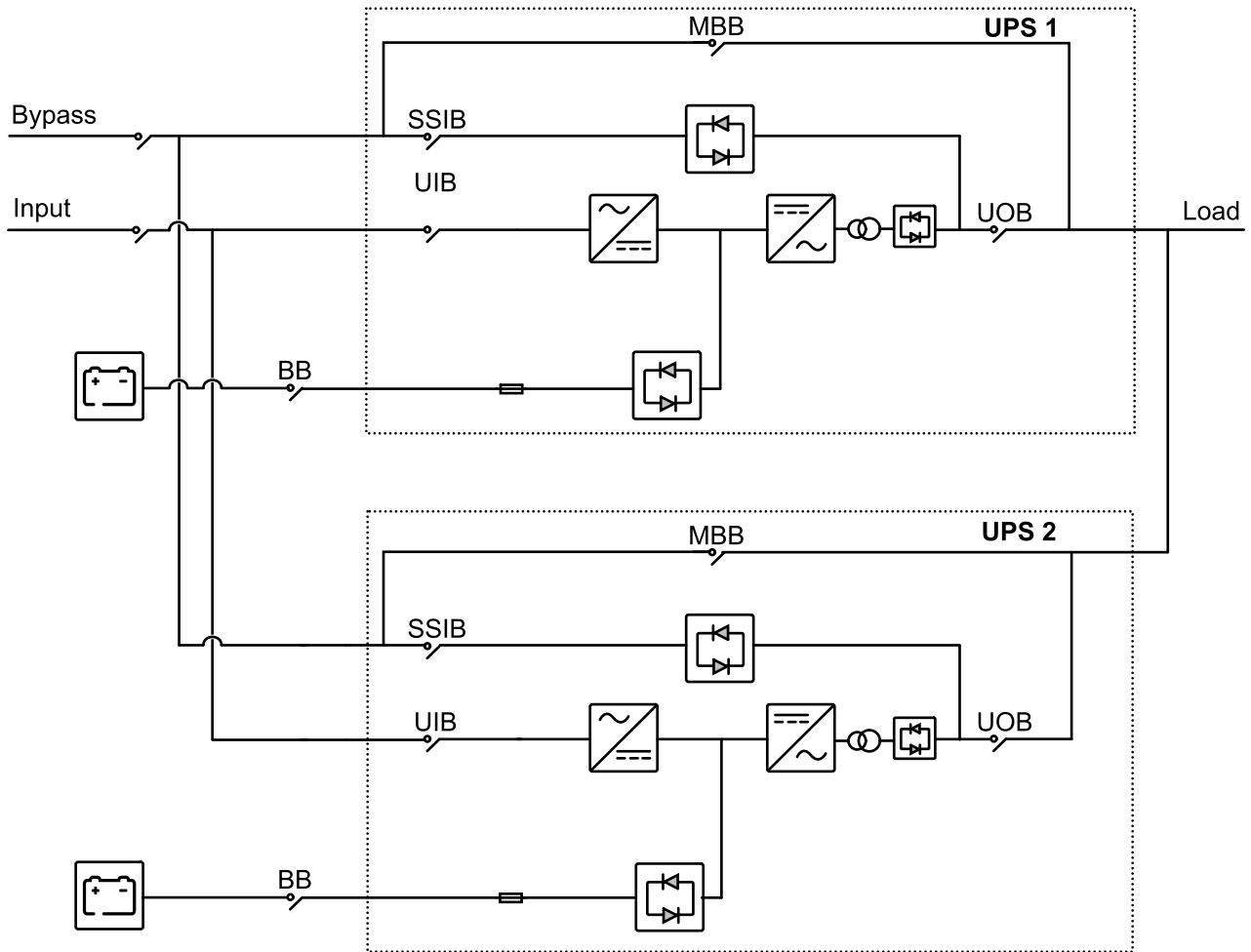


Overview of 1+1 Redundant Parallel System

3:1 220 VDC UPS



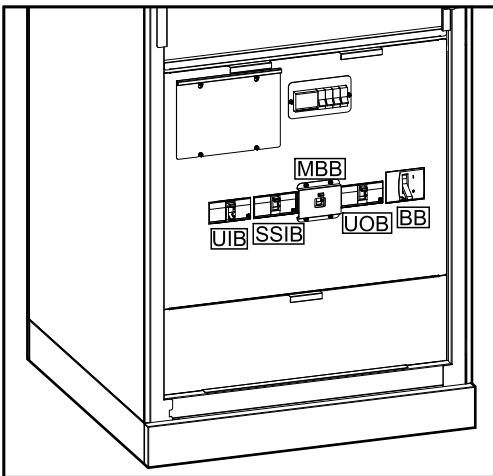
3:1 384 VDC UPS
3:3 384 VDC UPS



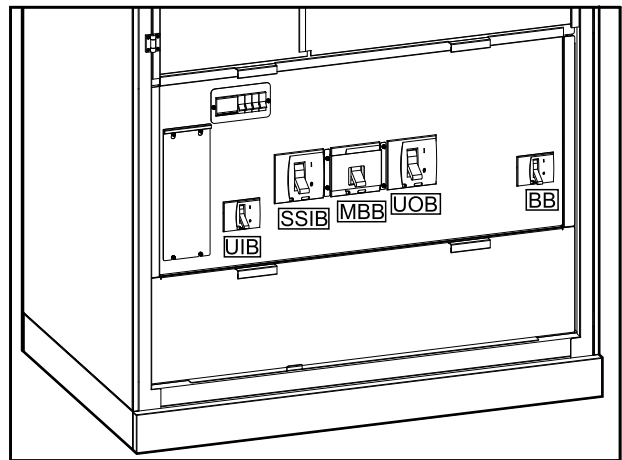
Location of Breakers

Locations of Breakers on the 3:1 UPSs

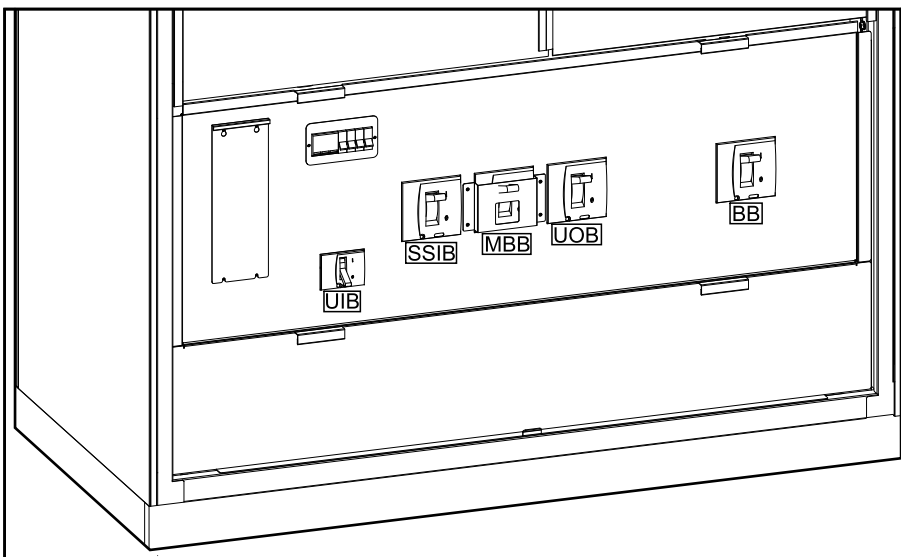
10-40 kVA 3:1 220 VDC UPS



50-80 kVA 3:1 220 VDC UPS

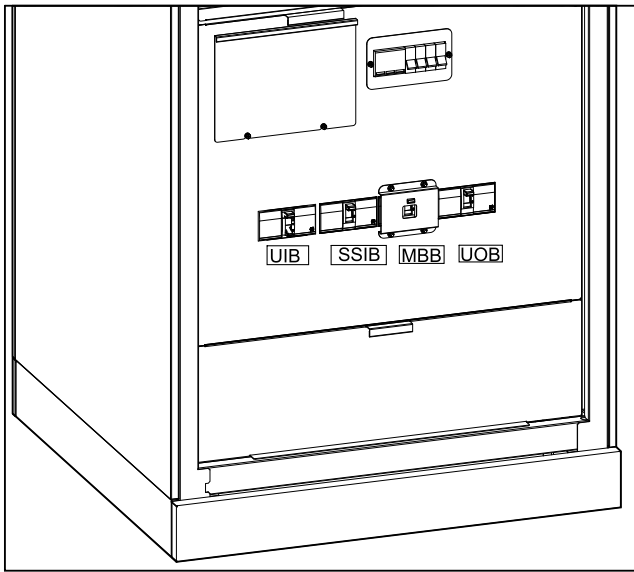


100-120 kVA 3:1 220 VDC UPS

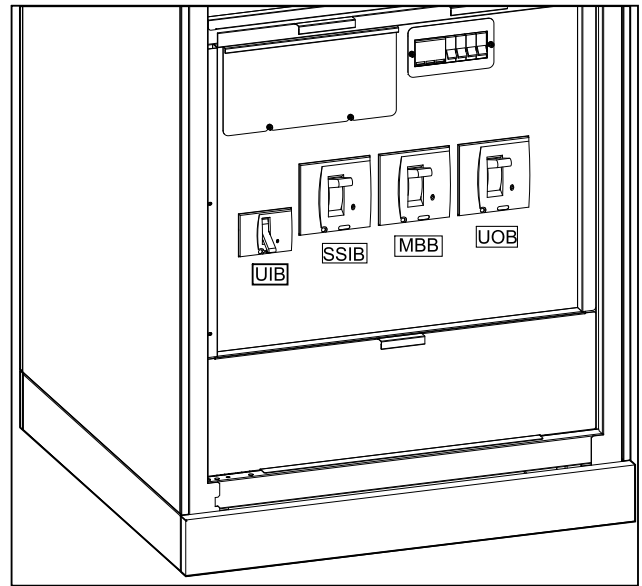


Locations of Breakers on the 3:1 UPSs (Continued)

10-40 kVA 3:1 384 VDC UPS

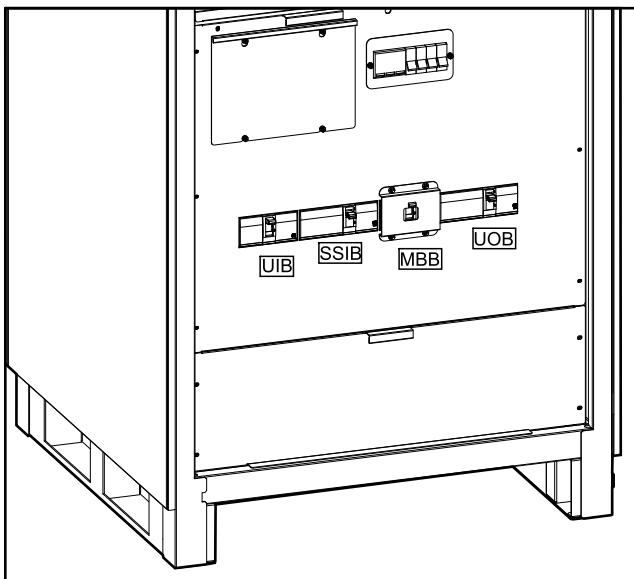


60-80 kVA 3:1 384 VDC UPS

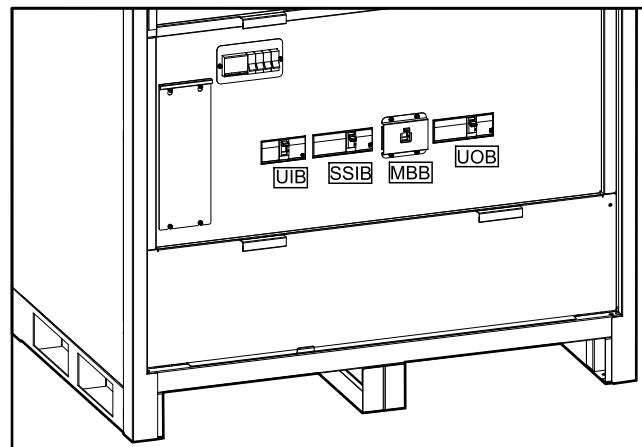


Locations of Breakers on the 3:3 UPSs

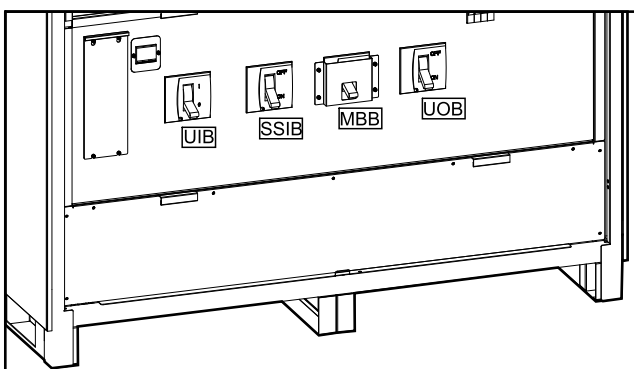
10-80 kVA 3:3 384 VDC UPS



100-120 kVA 3:3 384 VDC UPS



160-200 kVA 3:3 384 VDC UPS



Buzzer

NOTE: The buzzer is muted as default.

The buzzer is inside of the UPS. The buzzer will sound in the following instances:

- UPS is on battery power: The buzzer will beep in intervals of 3.5 seconds and the beep will last 0.5 seconds.
- UPS is on bypass: The buzzer will beep in intervals of 119 seconds and the beep will last 1 second.
- Critical event: The buzzer will beep in intervals of 0.5 seconds and the beep will last 0.5 seconds. The buzzer will beep continuously until the critical event has been acknowledged and resolved.
- Overload: The buzzer will beep in intervals of 0.26 seconds and the beep will last 0.24 seconds.

Operation Modes

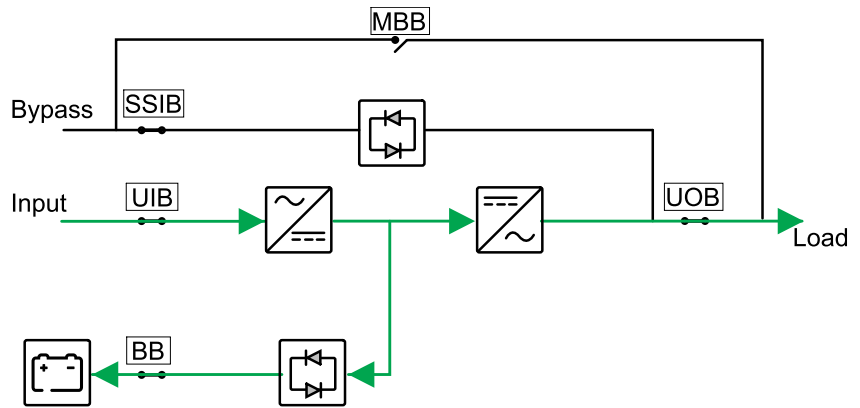
Normal Mode

The UPS provides power to the connected load from mains. The UPS converts mains to conditioned power for the connected load while recharging the batteries (float or boost charge).

LED Status

- ALARM
- BYPASS
- BATTERY
- INVERTER

Power Flow



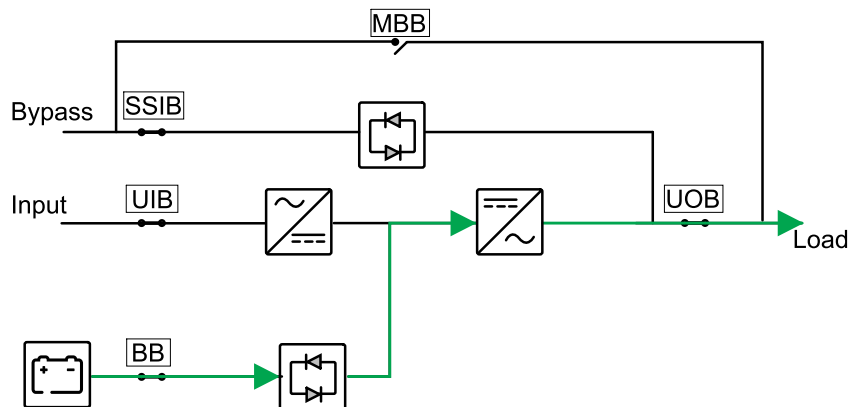
Battery Mode

The UPS transfers to battery mode if the mains supply fails. The UPS provides power to the connected load from the connected batteries for a finite period. When the mains supply returns, the UPS transfers back to normal mode.

LED Status

- ALARM
- BYPASS
- BATTERY
- INVERTER

Power Flow



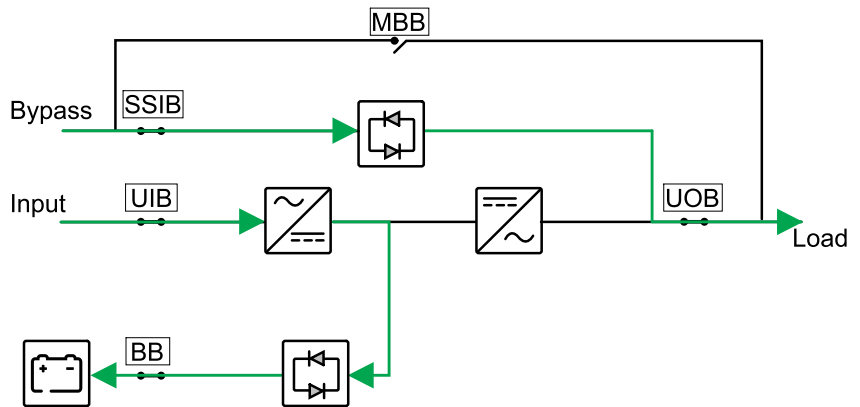
Static Bypass Mode

The UPS supplies the load with power from the bypass source. If the conditions for normal or battery mode are not met, the load will be transferred from the inverter to the bypass source with no interruption in power to the load.

LED Status

- ALARM
- BYPASS
- BATTERY
- INVERTER

Power Flow



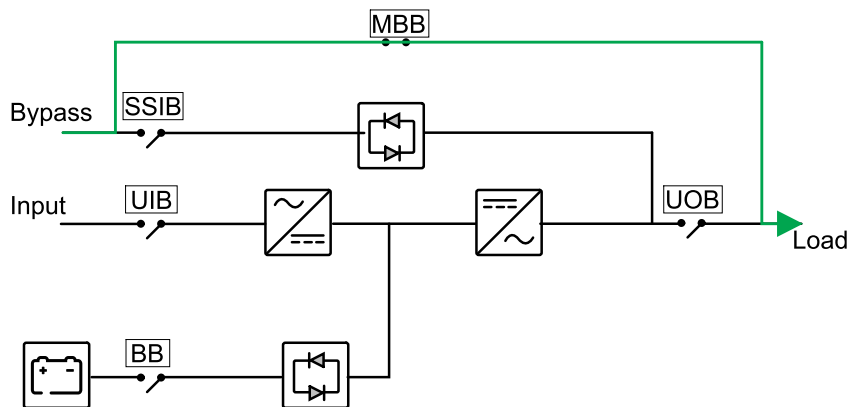
Maintenance Bypass Mode

In maintenance bypass mode, the mains is sent via the maintenance bypass breaker (MBB) to the load. Battery backup is not available in maintenance bypass mode.

LED Status

- ALARM
- BYPASS
- BATTERY
- INVERTER

Power Flow



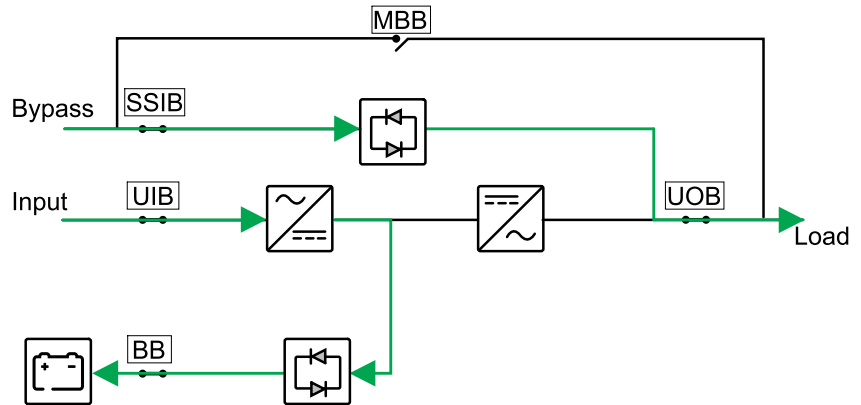
ECO Mode

In ECO mode the UPS is configured to use static bypass mode as the preferred operation mode under predefined circumstances. The inverter is in standby in ECO mode and in case of interruption to the mains, the UPS transfers to battery mode and the load is supplied from the inverter.

LED Status

- ALARM
- BYPASS
- BATTERY
- INVERTER

Power Flow



Frequency Converter Mode

In frequency converter mode, the UPS presents a stable output frequency (at 50 or 60 Hz) and the static bypass switch is not available.

NOTICE

RISK OF EQUIPMENT DAMAGE OR LOAD DROP

In frequency converter mode the UPS cannot run in static bypass or maintenance bypass mode. Before turning the UPS into frequency converter mode, you must contact a Schneider Electric-certified partner to make sure that:

- the static switch input breaker SSIB and the maintenance bypass breaker MBB are in the OFF (opened) position (Schneider Electric strongly recommends to lock these with a padlock available from Schneider Electric)
- no cables are connected to the bypass terminals

Failure to follow these instructions can result in equipment damage.

NOTICE

RISK OF LOAD DROP

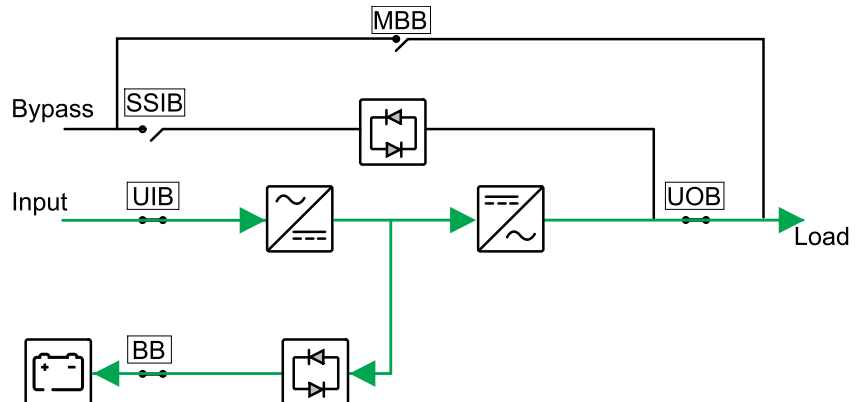
When the unit output breaker UOB is opened while the UPS is in frequency converter mode, the load will not be transferred, but will be dropped.

Failure to follow these instructions can result in equipment damage.

LED Status

- ALARM
- BYPASS
- BATTERY
- INVERTER

Power Flow



Auto Restart

DANGER

HAZARD OF ELECTRIC SHOCK, EXPLOSION, OR ARC FLASH

Always perform correct Lockout/Tagout before working on the UPS. A UPS with auto restart enabled will automatically restart when the mains supply returns.

Failure to follow these instructions will result in death or serious injury.

The batteries will reach end of discharge if the interruption to the mains is longer than the battery runtime available. When auto restart is enabled, the system will automatically restart when the mains returns.

NOTE: If auto restart is disabled, the inverter and bypass will not restart automatically when the mains return.

Operation Procedures

View System Status Information

1. From the home screen of the display select **Status**.
2. You can now select to view status for:
 - **Input status:** Phase voltage, phase-to-phase voltage, frequency, and operating status.
 - **Output status:** Phase voltage, phase-to-phase voltage, frequency, currents, apparent and active power, output power factor, and load percentages.
 - **Bypass status:** Phase voltage, phase-to-phase voltage, frequency, and operating status.
 - **Battery status:** Estimated battery runtime, battery capacity, current, voltage and operating status.
 - **Temperature information:** On internal components.
 - **Parameter information:** Voltage range and frequency range information for input, bypass, and ECO.


Transfer a Single UPS from Normal to Mode to Maintenance Bypass Mode

1. From the home screen on the display select **Control > Turn UPS ON/OFF** and tap **Confirm**.
2. Loosen the screws and remove the protection plate in front of the maintenance bypass breaker MBB.
3. Turn the maintenance bypass breaker MBB to the ON (closed) position.
The load is now supplied via the maintenance bypass breaker.
4. Turn the battery breaker(s) BB to the OFF (open) position.
5. Turn the unit input breaker UIB to the OFF (open) position.
6. Turn the static switch input breaker SSIB to the OFF (open) position.
7. Turn the unit output breaker UOB to the OFF (open) position.

Transfer a Single UPS from Maintenance Bypass Mode to Normal Mode

1. Check that all breakers except maintenance bypass breaker MBB are in the OFF (open) position.
2. Turn the static switch input breaker SSIB to the ON (closed) position.
The display turns on and the Home screen is shown.
3. Turn the unit output breaker UOB to the ON (closed) position.
4. Turn the unit input breaker UIB to the ON (closed) position.
5. Turn the battery breaker(s) BB to the ON (closed) position.
6. Turn the maintenance bypass breaker MBB to the OFF (open) position.
The UPS automatically transfers to normal mode.

ALARM 

BYPASS 

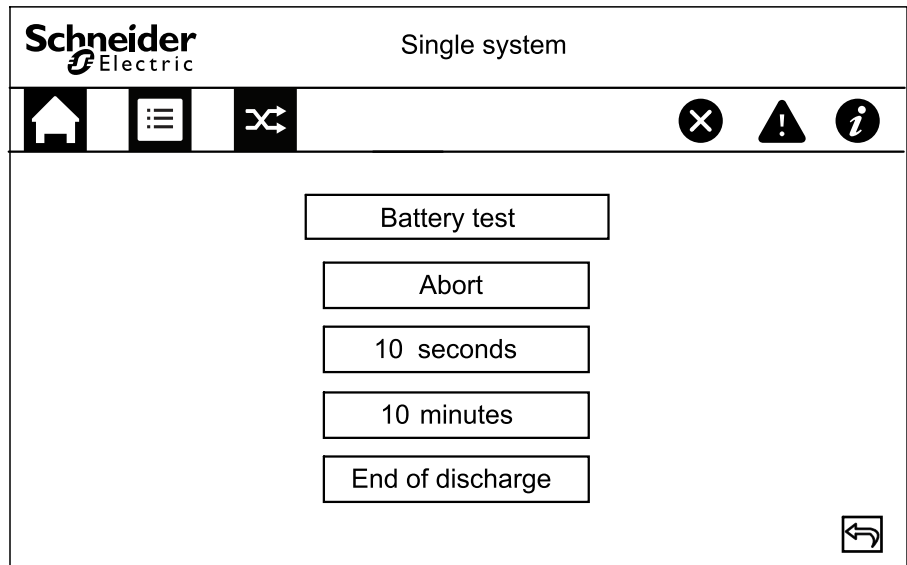
BATTERY 

INVERTER 

Perform a Battery Test

The battery test is used to test the health of the batteries.

1. From the home screen on the display select **Control > Battery test**.



2. Choose between the following tests:
 - **10 seconds**: For a 10 seconds long discharge of the batteries.
 - **10 minutes**: For a 10 minutes long discharge of the batteries.
 - **End of discharge**: For discharging the batteries until the end of discharge voltage is reached.
3. Tap **Confirm** to start the battery test.
4. Tap **Abort** to stop the battery test and tap **Confirm** to abort the test.

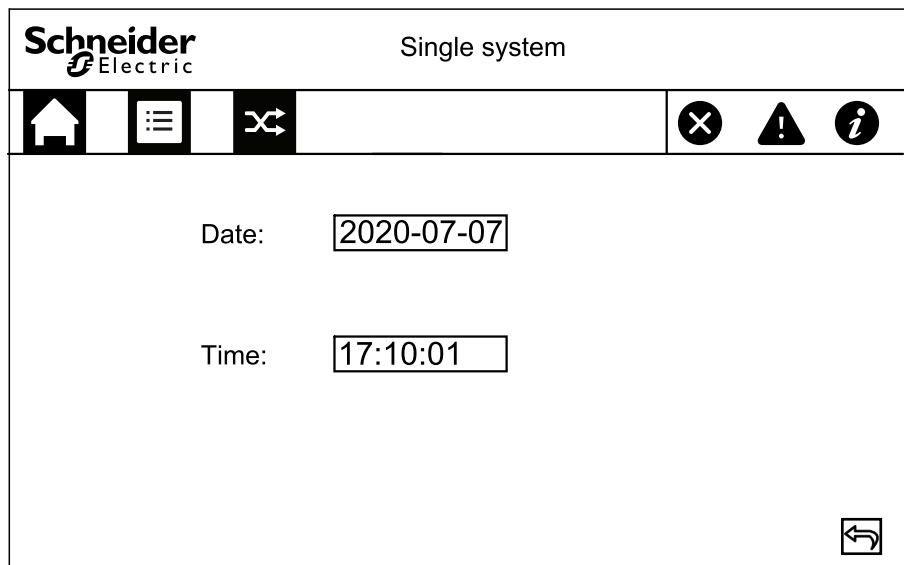
Configuration

Set the Display Language

1. From the home screen of the display select **Setting > General settings > Language settings**.
2. Select your preferred language.
3. Tap **Save settings**.

Set the Date and Time

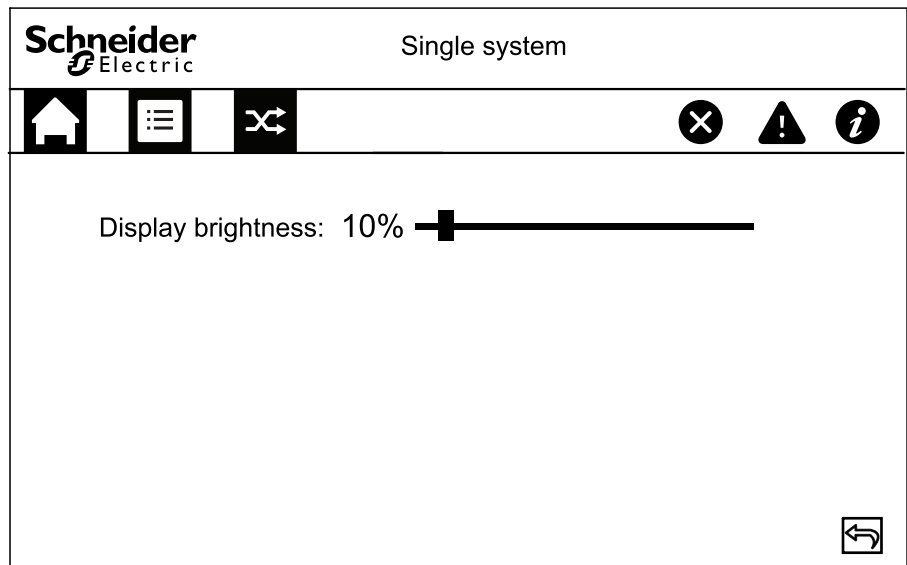
1. From the home screen of the display select **Setting > General settings > Date and time**.



2. Set the **Date** using the keypad.
3. Set the **Time** using the keypad.

Configure the Display Settings

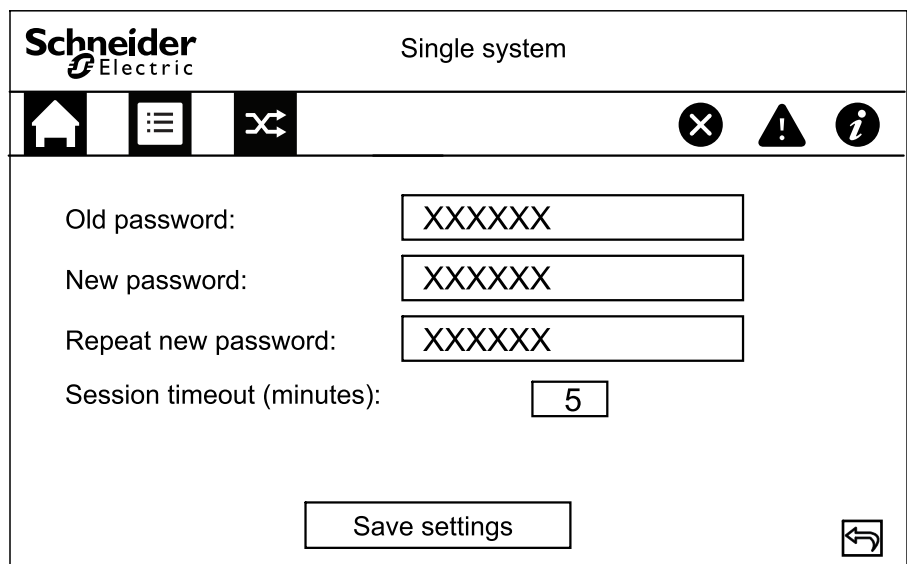
1. From the home screen of the display select **Setting > General settings > Display settings**.



2. Slide the indicator to the preferred setting.

Change the Display Password

1. From the home screen of the display select **Setting > General settings > Password settings**.



2. Type in **Old password**.
3. Type in **New password** and **Repeat new password**.
4. Set the time in minutes for automatic log out of the display after inactivity. Choose a value between 1 and 120.
5. Tap **Save settings**.

Configure the Network Settings

- From the home screen of the display select **Setting > General settings > Network settings**

The screenshot shows the 'Single system' network settings interface. At the top, the Schneider Electric logo is on the left and 'Single system' is on the right. Below the logo are three icons: a home icon, a menu icon, and a refresh icon. On the right side of the top bar are three icons: a close icon (X), a warning icon (triangle with exclamation mark), and an information icon (i). The main area contains three settings:

- Modbus ID:** A text input field containing the number '1'.
- Modbus baud rate:** A value of '9600' with left and right arrow buttons for navigation.
- RS485 allowed:** A value of 'Enable' with left and right arrow buttons for navigation.

At the bottom center is a 'Save settings' button, and at the bottom right is a back arrow icon.

- Set the **Modbus ID**. Select a value between 1 and 247.
- Set the **Modbus baud rate** for communication using the left and right arrows. Choose between 2400, 4800, 9600, and 19200.
- Select if connection via RS485 port should be enabled or disabled.
- Tap **Save settings**.

Calibrate the Display

- Select **Setting > General settings > Display calibration** and tap **Confirm**.
- Tap the crosses on the display to complete the calibration.

Configure the Parameter Settings

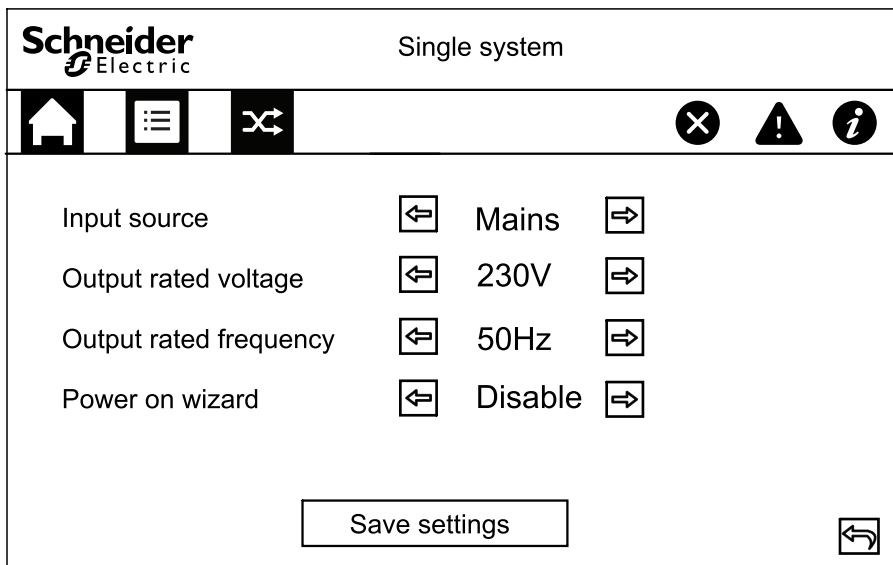
NOTICE

RISK OF EQUIPMENT DAMAGE

Only trained personnel following the required training must make modifications to the UPS system parameters.

Failure to follow these instructions can result in equipment damage.

- From the home screen of the display select **Setting > UPS settings > Parameter settings**.



- Select the **Input source**. Choose between **Mains** and **Genset**.
- Set the **Output rated voltage**. Choose between **220V**, **230V**, and **240V**.
- Set the **Output rated frequency**. Choose between **50Hz** and **60Hz**.
- Select if the **Power on wizard** should be enabled or disabled.
- Tap **Save settings**.

Configure the Battery Settings

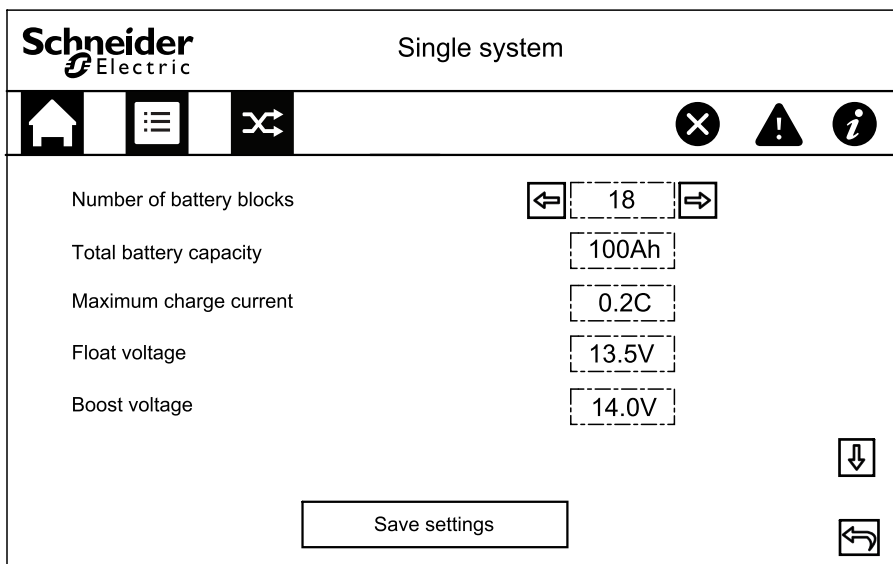
NOTICE

RISK OF EQUIPMENT DAMAGE

Only trained personnel following the required training must make modifications to the UPS system parameters.

Failure to follow these instructions can result in equipment damage.

- From the home screen of the display select **Setting > UPS settings > Battery settings**.



2. Set the **Number of battery blocks** in one battery string.
3. Set the **Total battery capacity**.
4. Set the **Maximum charge current**. Choose a value between 0.1C and 0.2C.
5. Tap **Save settings**.
6. Tap the arrow down symbol.

Schneider Electric		Single system	
Starting temp. compensation at (°C)	25		
Float charge temp. compensation (mV/°C/cell)	0.17		
Battery overtemperature protection	← Enable →		
Battery overtemperature (°C)	45		
Battery overvoltage protection (V)	13.5		
Battery voltage warning (V)	13.0		
Save settings			

7. **Starting temp. compensation at (°C)**: Choose a value between 20 °C and 25 °C.
8. **Float charge temp. compensation (mV/°C/cell)**: Choose a value between 0 and 7.
9. Select if **Battery overtemperature protection** should be enabled or disabled. If enabled, configure the following settings:
 - a. **Battery overtemperature (°C)**: Choose a value between 40 °C and 45 °C.
 - b. **Battery overvoltage protection (V)**: Choose a value between 13 V and 15 V.
 - c. **Battery voltage warning (V)**: Choose a value between 13 V and 15 V.
10. Tap **Save settings**.

Configure the Electrical Settings

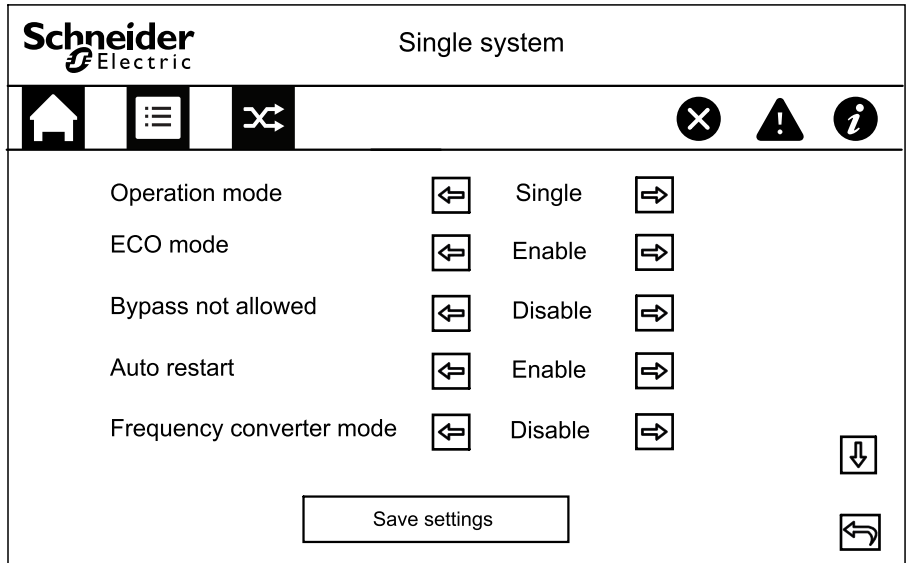
NOTICE

RISK OF EQUIPMENT DAMAGE

Only trained personnel having completed the required training must make modifications to the UPS system parameters.


Failure to follow these instructions can result in equipment damage.




- From the home screen of the display select **Setting > Advanced settings > Electrical settings** and configure the following:












- Operation mode:** Choose between **Single** for single system and **Parallel** for parallel system.
 - ECO mode:** Select if **ECO mode** should be enabled or disabled. For more information on ECO mode, see [ECO Mode](#), page 16.
 - Bypass not allowed:** When this setting is enabled, the UPS will not be allowed to transfer to bypass operation.
 - Auto restart:** Select if **Auto restart** should be enabled or disabled. For more information on auto restart, see [Auto Restart](#), page 18.
 - Frequency converter mode:** Select if **Frequency converter mode** should be enabled or disabled. For more information on frequency converter mode, see [Frequency Converter Mode](#), page 17.
- Tap **Save settings**.

3. Tap the arrow down symbol and configure the following:




Single system

INV ON without battery connected		Enable	
Bypass overload curve protection		Enable	
INV output short - transfer to bypass		Enable	

Save settings

- a. **INV ON without battery connected:** When this setting is enabled, the UPS can be started and can supply the load without any batteries connected. When this setting is disabled, the UPS can only be started if batteries are connected.
- b. **Bypass overload curve protection:** When this setting is enabled, the UPS will turn off and disconnect the load in case of an overload on the bypass to protect the UPS. When this setting is disabled, the UPS will stay in bypass mode and supply the load during an overload on the bypass.

NOTICE

RISK OF EQUIPMENT DAMAGE

When **Bypass overload curve protection** is disabled, the UPS may sustain damage during an overload on the bypass.

Failure to follow these instructions can result in equipment damage.

- c. **INV output short - transfer to bypass:** When this setting is enabled, the UPS will transfer to bypass instead of disconnecting the output in case of a short circuit on the inverter output.

4. Tap **Save settings**.

Configure the Parallel Settings

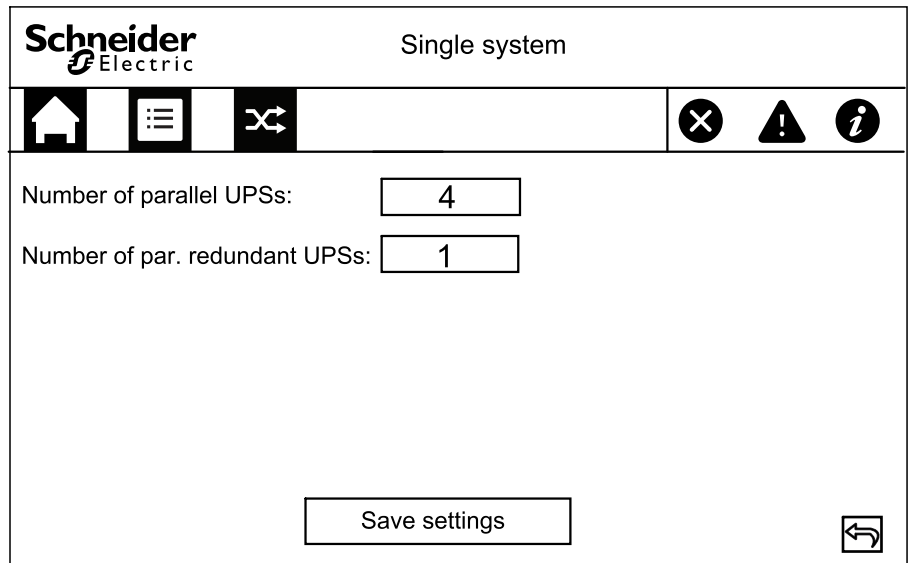
NOTICE

RISK OF EQUIPMENT DAMAGE

Only trained personnel following the required training must make modifications to the UPS system parameters.

Failure to follow these instructions can result in equipment damage.

1. From the home screen of the display select **Setting > Advanced settings > Parallel settings**.



2. Set the **Number of parallel UPSs**. Select a number between 2 and 4.
3. Set the **Number of par. redundant UPSs**. Select a value between 0 and 3.
4. Tap **Save settings**.

Configure the Battery Test Settings

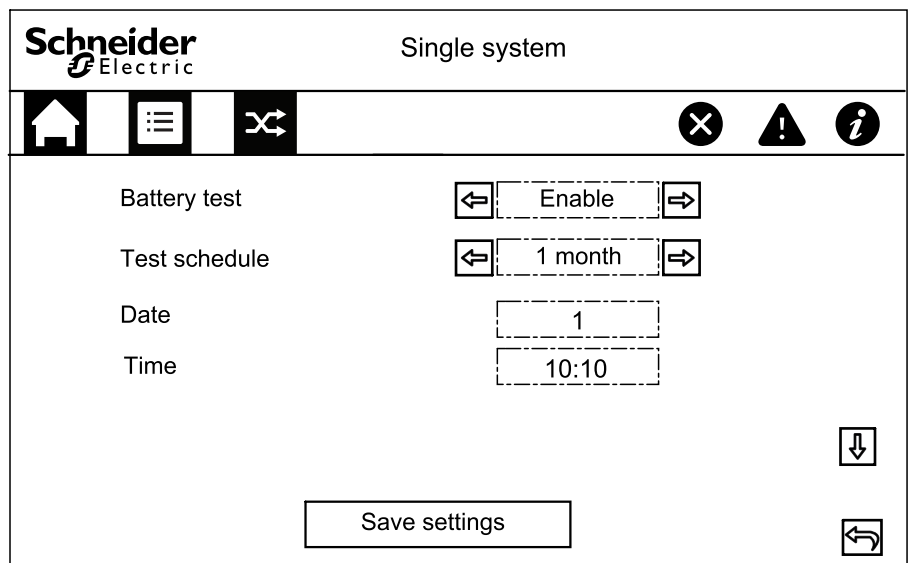
NOTICE

RISK OF EQUIPMENT DAMAGE

Only trained personnel following the required training must make modifications to the UPS system parameters.

Failure to follow these instructions can result in equipment damage.

1. From the home screen of the display select **Setting > Advanced settings > Battery test settings**.



2. Select if **Battery test** should be performed automatically. If this function is enabled, configure the following settings:
 - a. **Test schedule:** Select the battery test interval: **1 month, 2 months, 3 months, 6 months, or 12 months.**
 - b. **Date:** Set the day of the month for the battery test to take place. Choose a value between 1 and 31.
 - c. **Time:** Set the time of the day for the battery test to take place.
3. Tap **Save settings**.
4. Tap the arrow down.

The screenshot shows the 'Single system' configuration interface for Schneider Electric. The top bar includes the Schneider Electric logo and the title 'Single system'. Below the title is a navigation bar with icons for home, menu, refresh, close, warning, and help. The main content area displays four settings:

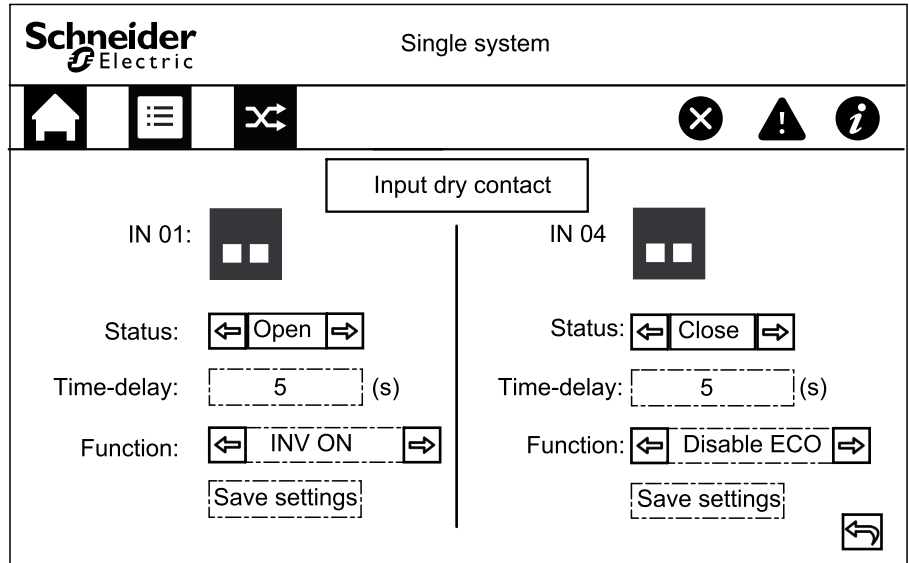
- Battery test - time:** A toggle switch set to 'Disable'.
- Test time limit (min):** A text input field containing the value '4'.
- Battery test - voltage:** A toggle switch set to 'Enable'.
- Test voltage limit (V):** A text input field containing the value '12.0'.

At the bottom of the screen, there is a 'Save settings' button and a back arrow icon.

5. Set the **Battery test - time:** Select **Enable** to manually specify a battery test time limit.
6. Set the **Battery test - voltage:** Select **Enable** to manually specify a battery test voltage limit.
7. Tap **Save settings**.

Configure the Input Dry Contacts

- From the home screen on the display select **Setting > Advanced settings > Input dry contact** and select the input dry contact that you want to configure. Configure the following for the input dry contact:



- Status:** Set if the input dry contact is **Open** or **Closed**.
- Time-delay:** Set the time delay (in seconds) for the input dry contact to activate.
- Function:** Select the function of the input dry contact. Select between **Disable**, **INV ON**, **INV OFF**, **Battery inoperable**, **Genset ON**, **Custom alarm 1**, **Custom alarm 2**, **Disable ECO**, and **Forced INV OFF**.
- Click **Save settings** to save.

Configure the Output Dry Contacts

- From the home screen on the display select **Setting > Advanced settings > Output dry contact** and select the output dry contact that you want to configure. Configure the following for the input dry contact:

The screenshot shows the Schneider Electric configuration interface for 'Output dry contact' settings. The screen title is 'Single system'. The interface includes a navigation bar with icons for Home, Menu, Refresh, Close, Warning, and Info. The main content area is titled 'Output dry contact' and features a 'Status' dropdown set to 'Open', a 'Time-delay' input field set to '1 (s)', and a 'Function' dropdown set to 'On battery'. A 'Save settings' button is located at the bottom right, along with a back arrow icon.

- Status:** Set if the output dry contact is **Open** or **Closed**.
- Time-delay:** Set the time delay (in seconds) for the output dry contact to activate.
- Function:** Select the function of the input dry contact. Select between **Disable**, **Common alarm**, **In normal operation**, **On battery**, **Static bypass**, **Output overload**, **Fan inoperable**, **Battery inoperable**, **Battery disconnected**, **Battery voltage low**, **Input out of tol.**, **Bypass out of tol.**, **EPO active**, **Maintenance bypass**, **Charging**, **Backfeed of M1**, and **Backfeed of M2**.
- Click **Save settings** to save.

Configure Life Cycle Monitoring

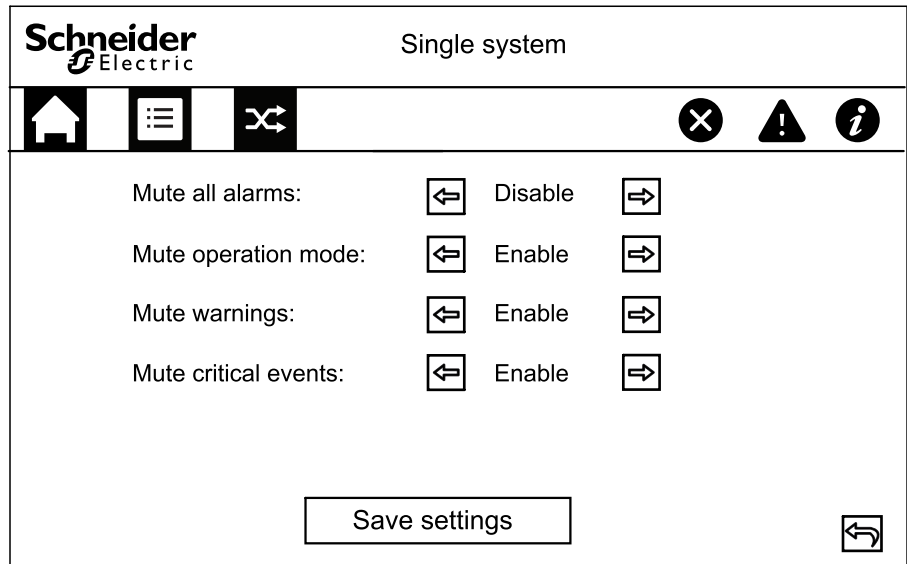
- From the home screen on the display select **Service > LCM settings**.

The screenshot shows the Schneider Electric configuration interface for 'Life Cycle Monitoring (LCM) settings'. The screen title is 'Single system'. The interface includes a navigation bar with icons for Home, Menu, Refresh, Close, Warning, and Info. The main content area shows 'Air filter check (months)' set to '0' and 'Air filter counter (days)' with a 'Reset' button. A 'Save settings' button is located at the bottom right, along with a back arrow icon.

- Set the **Air filter check (months)** - time in months between air filter checks. The system will generate a **Check air filter** message when it is time to check the air filters.
NOTE: The **Air filter check (months)** is set to 0 when no air filters are installed.
- When an air filter has been replaced, reset the **Air filter counter (days)**.

Configure the Buzzer

- From the home screen on the display select **Control > UPS mute control**.



- Muting of the buzzer can be enabled or disabled for the following events: **Mute all alarms, Mute operation mode, Mute warnings, and Mute critical events.**
- Tap **Save settings**.

Maintenance

NOTE: Transfer to internal maintenance bypass to do the maintenance is only allowed in solid earthing system. In resistance earthing system, 4 pole upstream circuit breaker is mandatory. You need to transfer to external MBB and shut down the UPS completely.

Parts Replacement

Determine if you need a Replacement Part

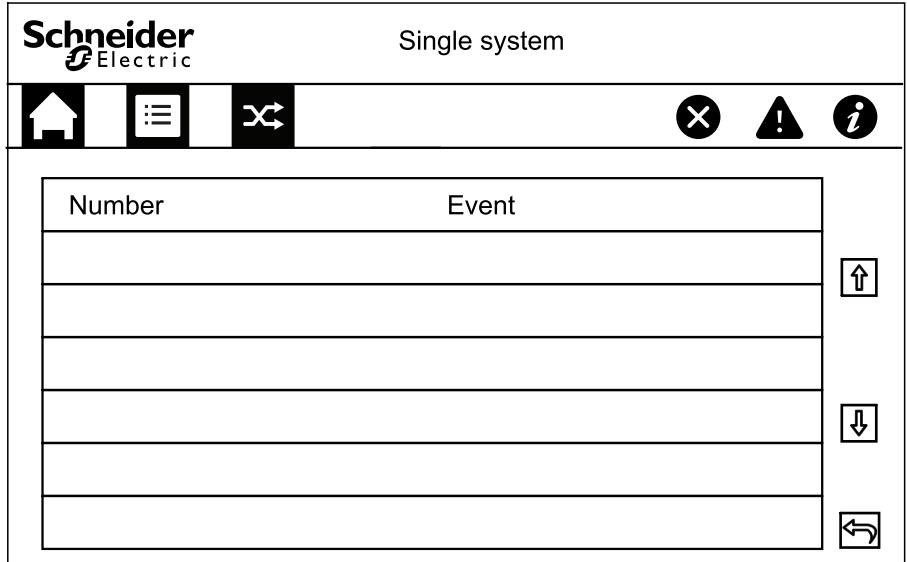
To determine if you need a replacement part, contact Schneider Electric and follow the procedure below so that the representative can assist you promptly:

1. In the event of an alarm condition, scroll through the alarm lists, record the information, and provide it to the representative.
2. Write down the serial number of the unit so that you will have it easily accessible when you contact Schneider Electric.
3. If possible, call Schneider Electric from a telephone that is within reach of the display so that you can gather and report additional information to the representative.
4. Be prepared to provide a detailed description of the problem. A representative will help you solve the problem over the telephone, if possible, or will assign a return material authorization (RMA) number to you. If a module is returned to Schneider Electric, this RMA number must be clearly printed on the outside of the package.
5. If the unit is within the warranty period and has been started up by Schneider Electric, repairs or replacements will be performed free of charge. If it is not within the warranty period, there will be a charge.
6. If the unit is covered by a Schneider Electric service contract, have the contract available to provide information to the representative.

Troubleshooting

View the Active Alarms

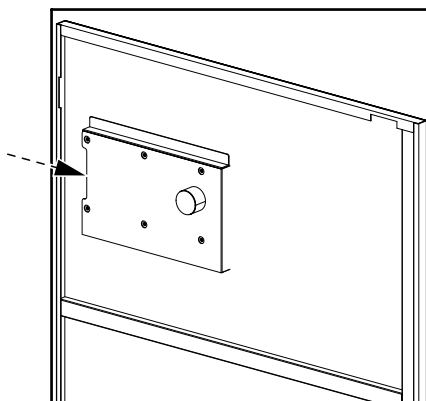
1. From the home screen on the display select **Alarm(s)**.
2. Select if you want to view **Warning information** or **Critical event information**.



3. You can browse through the list of active alarms using the arrows.

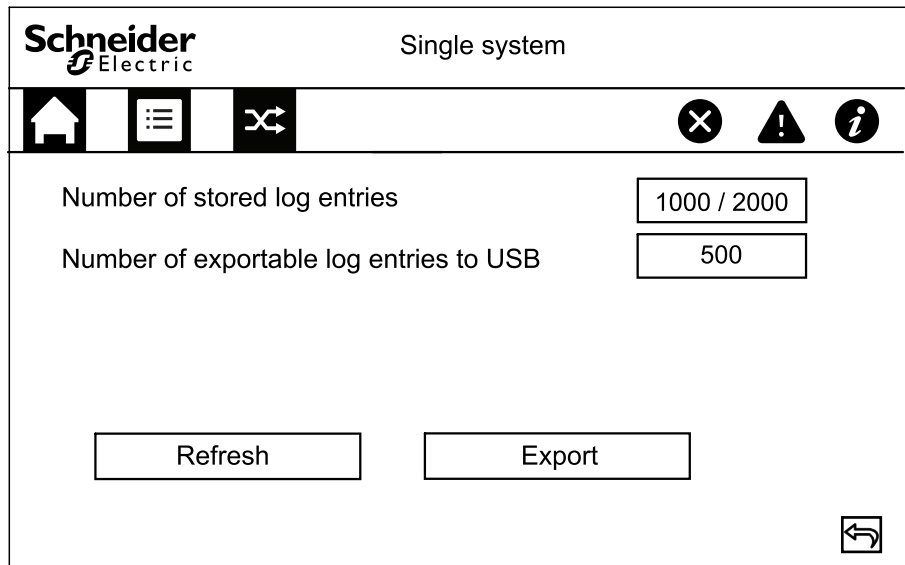
Export Data to a USB Drive

1. From the home screen of the display select **Service > Export data to USB**.
2. Open the front door of the UPS and insert a USB device in the USB port on the display.



3. Select either to **Export event logs** or **Export settings log**.

The **Number of stored log entries** and the **Number of exportable log entries to USB** are shown on the screen.



4. Tap **Export** to export the log to the USB drive.
5. Remove USB device from USB port.

Clear Inoperable State

When the UPS has been in an inoperable state, the inoperable state must be cleared before the UPS can be started up.

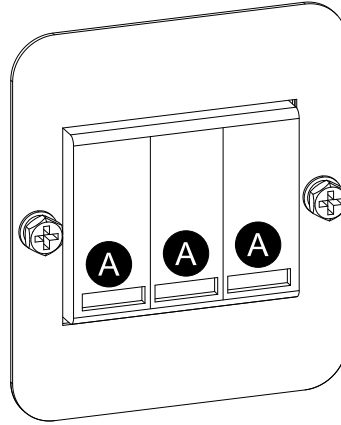
1. From the home screen on the display select **Control > Clear inoperable state**.
2. Tap **Confirm** to clear the inoperable state.

Status Indicators of the SPDs

When the front door on the UPS is open, the status indicators (A) of the SPDs are visible. When the status indicator on one of the SPDs turns red, the SPD is inoperable and needs to be replaced. Please contact Schneider Electric for service.

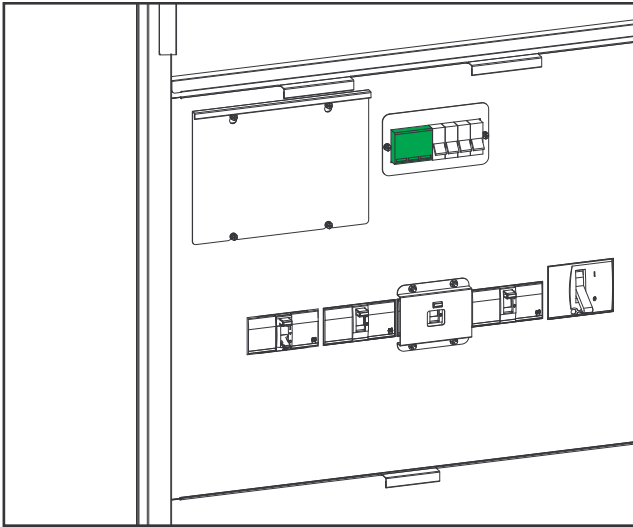
NOTE: It is recommended to check the status of the SPDs every 6 months.

Front view of the SPDs

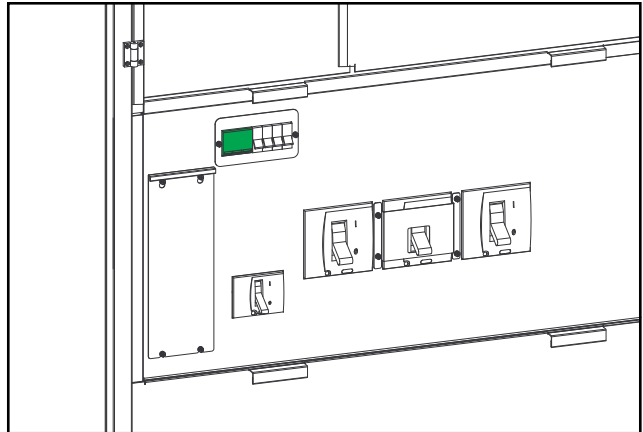


Placement of the SPDs on the 3:1 UPSs

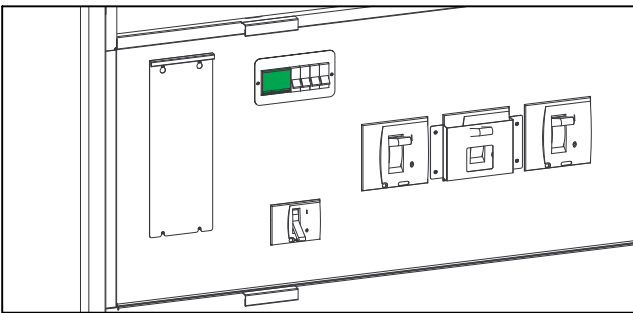
10-40 kVA 3:1 220 VDC UPS



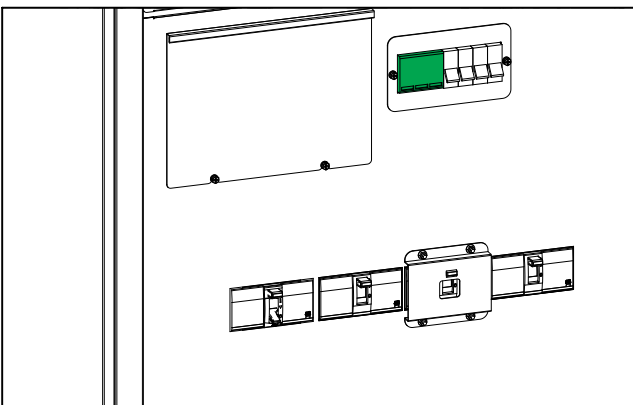
50-80 kVA 3:1 220 VDC UPS



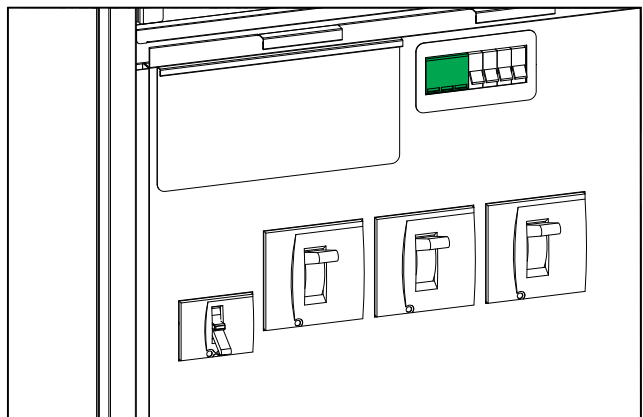
100-120 kVA 3:1 220 VDC UPS



10-40 kVA 3:1 384 VDC UPS

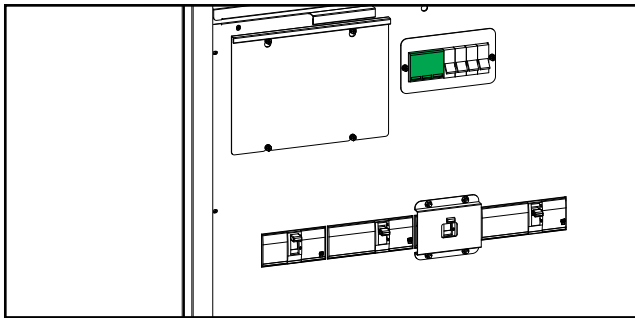


60-80 kVA 3:1 384 VDC UPS

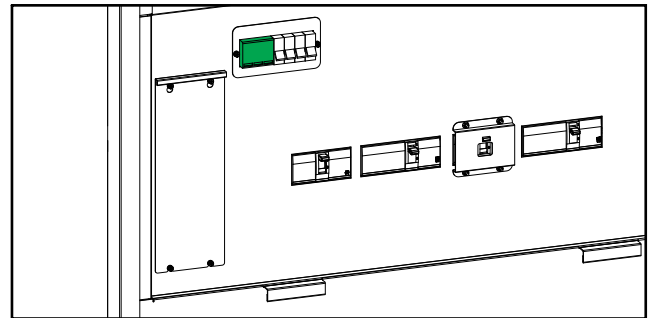


Placement of the SPDs on the 3:3 UPSs

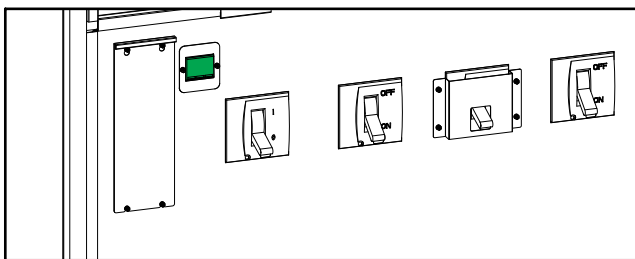
10-80 kVA 3:3 384 VDC UPS



100-120 kVA 384 VDC 3:3 UPS



160-200 kVA 3:3 384 VDC UPS



Schneider Electric
35 rue Joseph Monier
92500 Rueil Malmaison
France

+ 33 (0) 1 41 29 70 00



As standards, specifications, and design change from time to time,
please ask for confirmation of the information given in this publication.

© 2020 – 2022 Schneider Electric. All rights reserved.

990-91407C-001